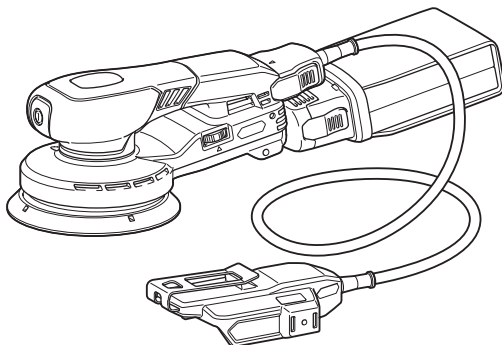


**INSTRUCTION MANUAL
MANUEL D'INSTRUCTION
MANUAL DE INSTRUCCIONES**



Battery Powered Random Orbit Sander Ponceuse excentrique Sans Fil Lijadora de Órbita Excéntrica a Batería

**BO001CG
BO002CG
BO003CG
BO004CG**



IMPORTANT: Read Before Using.

IMPORTANT : Lire avant usage.

IMPORTANTE: Lea antes de usar.

SPECIFICATIONS

Model:	BO001CG	BO002CG	BO003CG	BO004CG
Backing pad diameter	125 mm (5")	150 mm (6")	125 mm (5")	150 mm (6")
Orbits per minute	6,000 - 10,000 /min			
Orbits diameter	5.0 mm (3/16")		3.0 mm (1/8")	
Overall length	234 mm (9-1/4")	247 mm (9-3/4")	233 mm (9-1/8")	246 mm (9-11/16")
Rated voltage	D.C. 36 V - 40 V max			
Net weight *1	0.92 kg (2.0 lbs)	0.98 kg (2.2 lbs)	0.91 kg (2.0 lbs)	0.96 kg (2.1 lbs)

- Due to our continuing program of research and development, the specifications herein are subject to change without notice.
- Specifications may differ from country to country.
- The weight according to EPTA-Procedure 01/2014, are shown in the table.

*1: Weight without any accessories or battery cartridge(s)

Applicable battery cartridge and charger

Battery cartridge	BL4020* / BL4025* / BL4040* / BL4040F* / BL4050F / BL4080F * : Recommended battery
Charger	DC40RA / DC40RB / DC40RC / DC40WA

- Some of the battery cartridges and chargers listed above may not be available depending on your region of residence.

⚠WARNING: Only use the battery cartridges and chargers listed above. Use of any other battery cartridges and chargers may cause injury and/or fire.

Recommended cord connected power source

Portable power pack	PDC01 / PDC1200 / PDC1500
---------------------	---------------------------

- The cord connected power source(s) listed above may not be available depending on your region of residence.
- Before using the cord connected power source, read instruction and cautionary markings on them.

SAFETY WARNINGS

General power tool safety warnings

⚠WARNING Read all safety warnings, instructions, illustrations and specifications provided with this power tool. Failure to follow all instructions listed below may result in electric shock, fire and/or serious injury.

Save all warnings and instructions for future reference.

The term "power tool" in the warnings refers to your mains-operated (corded) power tool or battery-operated (cordless) power tool.

Work area safety

1. **Keep work area clean and well lit.** Cluttered or dark areas invite accidents.
2. **Do not operate power tools in explosive atmospheres, such as in the presence of flammable**

liquids, gases or dust. Power tools create sparks which may ignite the dust or fumes.

3. **Keep children and bystanders away while operating a power tool.** Distractions can cause you to lose control.

Electrical safety

1. **Power tool plugs must match the outlet. Never modify the plug in any way. Do not use any adapter plugs with earthed (grounded) power tools.** Unmodified plugs and matching outlets will reduce risk of electric shock.
2. **Avoid body contact with earthed or grounded surfaces, such as pipes, radiators, ranges and refrigerators.** There is an increased risk of electric shock if your body is earthed or grounded.
3. **Do not expose power tools to rain or wet conditions.** Water entering a power tool will increase the risk of electric shock.
4. **Do not abuse the cord. Never use the cord for carrying, pulling or unplugging the power tool. Keep cord away from heat, oil, sharp edges or moving parts.** Damaged or entangled cords

increase the risk of electric shock.

5. **When operating a power tool outdoors, use an extension cord suitable for outdoor use.** Use of a cord suitable for outdoor use reduces the risk of electric shock.
6. **If operating a power tool in a damp location is unavoidable, use a ground fault circuit interrupter (GFCI) protected supply.** Use of a GFCI reduces the risk of electric shock.
7. **Power tools can produce electromagnetic fields (EMF) that are not harmful to the user.** However, users of pacemakers and other similar medical devices should contact the maker of their device and/or doctor for advice before operating this power tool.

Personal safety

1. **Stay alert, watch what you are doing and use common sense when operating a power tool. Do not use a power tool while you are tired or under the influence of drugs, alcohol or medication.** A moment of inattention while operating power tools may result in serious personal injury.
2. **Use personal protective equipment. Always wear eye protection.** Protective equipment such as a dust mask, non-skid safety shoes, hard hat or hearing protection used for appropriate conditions will reduce personal injuries.
3. **Prevent unintentional starting. Ensure the switch is in the off-position before connecting to power source and/or battery pack, picking up or carrying the tool.** Carrying power tools with your finger on the switch or energising power tools that have the switch on invites accidents.
4. **Remove any adjusting key or wrench before turning the power tool on.** A wrench or a key left attached to a rotating part of the power tool may result in personal injury.
5. **Do not overreach. Keep proper footing and balance at all times.** This enables better control of the power tool in unexpected situations.
6. **Dress properly. Do not wear loose clothing or jewellery. Keep your hair and clothing away from moving parts.** Loose clothes, jewellery or long hair can be caught in moving parts.
7. **If devices are provided for the connection of dust extraction and collection facilities, ensure these are connected and properly used.** Use of dust collection can reduce dust-related hazards.
8. **Do not let familiarity gained from frequent use of tools allow you to become complacent and ignore tool safety principles.** A careless action can cause severe injury within a fraction of a second.
9. **Always wear protective goggles to protect your eyes from injury when using power tools. The goggles must comply with ANSI Z87.1 in the USA.**
It is an employer's responsibility to enforce the use of appropriate safety protective equipment by the tool operators and by other persons in the immediate working area.

Power tool use and care

1. **Do not force the power tool. Use the correct power tool for your application.** The correct

power tool will do the job better and safer at the rate for which it was designed.

2. **Do not use the power tool if the switch does not turn it on and off.** Any power tool that cannot be controlled with the switch is dangerous and must be repaired.
3. **Disconnect the plug from the power source and/or remove the battery pack, if detachable, from the power tool before making any adjustments, changing accessories, or storing power tools.** Such preventive safety measures reduce the risk of starting the power tool accidentally.
4. **Store idle power tools out of the reach of children and do not allow persons unfamiliar with the power tool or these instructions to operate the power tool.** Power tools are dangerous in the hands of untrained users.
5. **Maintain power tools and accessories. Check for misalignment or binding of moving parts, breakage of parts and any other condition that may affect the power tool's operation. If damaged, have the power tool repaired before use.** Many accidents are caused by poorly maintained power tools.
6. **Keep cutting tools sharp and clean.** Properly maintained cutting tools with sharp cutting edges are less likely to bind and are easier to control.
7. **Use the power tool, accessories and tool bits etc. in accordance with these instructions, taking into account the working conditions and the work to be performed.** Use of the power tool for operations different from those intended could result in a hazardous situation.
8. **Keep handles and grasping surfaces dry, clean and free from oil and grease.** Slippery handles and grasping surfaces do not allow for safe handling and control of the tool in unexpected situations.
9. **When using the tool, do not wear cloth work gloves which may be entangled.** The entanglement of cloth work gloves in the moving parts may result in personal injury.

Battery tool use and care

1. **Recharge only with the charger specified by the manufacturer.** A charger that is suitable for one type of battery pack may create a risk of fire when used with another battery pack.
2. **Use power tools only with specifically designated battery packs.** Use of any other battery packs may create a risk of injury and fire.
3. **When battery pack is not in use, keep it away from other metal objects, like paper clips, coins, keys, nails, screws or other small metal objects, that can make a connection from one terminal to another.** Shorting the battery terminals together may cause burns or a fire.
4. **Under abusive conditions, liquid may be ejected from the battery; avoid contact. If contact accidentally occurs, flush with water. If liquid contacts eyes, additionally seek medical help.** Liquid ejected from the battery may cause irritation or burns.
5. **Do not use a battery pack or tool that is damaged or modified.** Damaged or modified batteries may exhibit unpredictable behaviour resulting in

fire, explosion or risk of injury.

6. **Do not expose a battery pack or tool to fire or excessive temperature.** Exposure to fire or temperature above 130 °C may cause explosion.
7. **Follow all charging instructions and do not charge the battery pack or tool outside the temperature range specified in the instructions.** Charging improperly or at temperatures outside the specified range may damage the battery and increase the risk of fire.

Service

1. **Have your power tool serviced by a qualified repair person using only identical replacement parts.** This will ensure that the safety of the power tool is maintained.
2. **Never service damaged battery packs.** Service of battery packs should only be performed by the manufacturer or authorized service providers.
3. **Follow instruction for lubricating and changing accessories.**
4. **Do not modify or attempt to repair the appliance or the battery pack except as indicated in the instructions for use and care.**

Sander safety warnings

1. **Always use safety glasses or goggles.** Ordinary eye or sun glasses are NOT safety glasses.
2. **Hold the tool firmly.**
3. **Do not leave the tool running. Operate the tool only when hand-held.**
4. **This tool has not been waterproofed, so do not use water on the workpiece surface.**
5. **Ventilate your work area adequately when you perform sanding operations.**
6. **Some material contains chemicals which may be toxic. Take caution to prevent dust inhalation and skin contact. Follow material supplier safety data.**
7. **Use of this tool to sand some products, paints and wood could expose user to dust containing hazardous substances. Use appropriate respiratory protection.**
8. **Be sure that there are no cracks or breakage on the pad before use. Cracks or breakage may cause a personal injury.**
9. **Watch your footing and maintain your balance with the tool. Make sure there is no one below when working in high locations.** Dropping your tool/machine components from a height may cause serious injuries.
10. **Do not use the accessories which are not recommended by the manufacturer.** The safety of accessories which are not recommended by the manufacturer is not assured even if they can be attached.

SAVE THESE INSTRUCTIONS.

⚠WARNING: DO NOT let comfort or familiarity with product (gained from repeated use) replace strict adherence to safety rules for the subject product. **MISUSE** or failure to follow the safety rules stated in this instruction manual may cause serious personal injury.

Battery adapter safety warnings

1. **When the cord gets hot, stop using the product and turn the tool/machine off. Allow them to cool before a restart.**
2. **When carrying your tool/machine or leaving your tool/machine unattended, remove the adapter from the tool/machine or unfasten the battery holder from your body, etc.**
 - The cord may be caught on people or obstacles nearby and cause an injury.
 - You may unintentionally pull the tool/machine connected to your body, and it may cause tumble or the tool/machine falling, resulting in injury.
3. **While using the product in high places, always use a safety belt.** Be aware that an accidental drop of the tool/machine may affect your balance and there could be a risk of falling from height.
4. **Do not store or operate this product with the cord twisted.** A damaged or entangled cord may increase the risk of electric shock or fire due to a short circuit in wiring.
5. **Inspect the cord and product components for any anomalies prior to use.** If any anomalies are detected, stop using the product immediately and request a repair at the Makita Authorized or Factory Service Centers.

Symbols

The followings show the symbols used for tool.

v	volts
— ---	direct current
n ₀	no load speed
... /min r /min	orbits per minute

FCC Notices

For USA only

This device complies with part 15 of the FCC Rules. Operation is subject to the following two conditions: (1) This device may not cause harmful interference, and (2) this device must accept any interference received, including interference that may cause undesired operation.

FCC caution

Changes or modifications not expressly approved by the party responsible for compliance could void the user's authority to operate the equipment.

NOTE: This equipment has been tested and found to comply with the limits for a Class B digital device, pursuant to part 15 of the FCC Rules. These limits are designed to provide reasonable protection against harmful interference in a residential installation. This equipment generates, uses and can radiate radio frequency energy and, if not installed and used in accordance with the instructions, may cause harmful interference to radio communications. However, there is no guarantee that interference will not occur in a particular installation. If this equipment does cause harmful interference to radio or television reception, which can be determined by turning the equipment off and on, the user is encouraged to try to correct the interference by one or more of the following measures:

- Reorient or relocate the receiving antenna.
- Increase the separation between the equipment and receiver.
- Connect the equipment into an outlet on a circuit different from that to which the receiver is connected.
- Consult the dealer or an experienced radio/TV technician for help.

Makita U.S.A. Inc.
14930 Northam Street, La Mirada, CA 90638-5753, USA
+1-(714) 522-8088

Important safety instructions for battery cartridge

1. **Before using battery cartridge, read all instructions and cautionary markings on (1) battery charger, (2) battery, and (3) product using battery.**
2. **Do not disassemble or tamper with the battery cartridge.** It may result in a fire, excessive heat, or explosion.
3. **If operating time has become excessively shorter, stop operating immediately.** It may result in a risk of overheating, possible burns and even an explosion.
4. **If electrolyte gets into your eyes, rinse them out with clear water and seek medical attention right away.** It may result in loss of your eyesight.
5. **Do not short the battery cartridge:**
 - (1) **Do not touch the terminals with any conductive material.**
 - (2) **Avoid storing battery cartridge in a container with other metal objects such as nails, coins, etc.**
 - (3) **Do not expose battery cartridge to water or rain.**

A battery short can cause a large current flow, overheating, possible burns and even a breakdown.

6. **Do not store and use the tool and battery cartridge in locations where the temperature may reach or exceed 50 °C (122 °F).**
7. **Do not incinerate the battery cartridge even if it is severely damaged or is completely worn out.** The battery cartridge can explode in a fire.

8. **Do not nail, cut, crush, throw, drop the battery cartridge, or hit against a hard object to the battery cartridge.** Such conduct may result in a fire, excessive heat, or explosion.
9. **Do not use a damaged battery.**
10. **The contained lithium-ion batteries are subject to the Dangerous Goods Legislation requirements.**

For commercial transports e.g. by third parties, forwarding agents, special requirement on packaging and labeling must be observed. For preparation of the item being shipped, consulting an expert for hazardous material is required. Please also observe possibly more detailed national regulations.

Tape or mask off open contacts and pack up the battery in such a manner that it cannot move around in the packaging.
11. **When disposing the battery cartridge, remove it from the tool and dispose of it in a safe place. Follow your local regulations relating to disposal of battery.**

12. **Use the batteries only with the products specified by Makita.** Installing the batteries to non-compliant products may result in a fire, excessive heat, explosion, or leak of electrolyte.
13. **If the tool is not used for a long period of time, the battery must be removed from the tool.**
14. **During and after use, the battery cartridge may take on heat which can cause burns or low temperature burns. Pay attention to the handling of hot battery cartridges.**
15. **Do not touch the terminal of the tool immediately after use as it may get hot enough to cause burns.**
16. **Do not allow chips, dust, or soil stuck into the terminals, holes, and grooves of the battery cartridge.** It may cause heating, catching fire, burst and malfunction of the tool or battery cartridge, resulting in burns or personal injury.
17. **Unless the tool supports the use near high-voltage electrical power lines, do not use the battery cartridge near high-voltage electrical power lines.** It may result in a malfunction or breakdown of the tool or battery cartridge.
18. **Keep the battery away from children.**

SAVE THESE INSTRUCTIONS.

⚠CAUTION: Only use genuine Makita batteries. Use of non-genuine Makita batteries, or batteries that have been altered, may result in the battery bursting causing fires, personal injury and damage. It will also void the Makita warranty for the Makita tool and charger.

Tips for maintaining maximum battery life

1. **Charge the battery cartridge before completely discharged. Always stop tool operation and charge the battery cartridge when you notice less tool power.**
2. **Never recharge a fully charged battery cartridge. Overcharging shortens the battery service life.**

3. Charge the battery cartridge with room temperature at 10 °C - 40 °C (50 °F - 104 °F). Let a hot battery cartridge cool down before charging it.
4. When not using the battery cartridge, remove it from the tool or the charger.
5. Charge the battery cartridge if you do not use it for a long period (more than six months).

Important safety instructions for wireless unit

1. Do not disassemble or tamper with the wireless unit.
2. Keep the wireless unit away from young children. If accidentally swallowed, seek medical attention immediately.
3. Use the wireless unit only with Makita tools.
4. Do not expose the wireless unit to rain or wet conditions.
5. Do not use the wireless unit in places where the temperature exceeds 50 °C (122 °F).
6. Do not operate the wireless unit in places where medical instruments, such as heart pace makers are nearby.
7. Do not operate the wireless unit in places where automated devices are nearby. If operated, automated devices may develop malfunction or error.
8. Do not operate the wireless unit in places under high temperature or places where static electricity or electrical noise could be generated.
9. The wireless unit can produce electromagnetic fields (EMF) but they are not harmful to the user.
10. The wireless unit is an accurate instrument. Be careful not to drop or strike the wireless unit.
11. Avoid touching the terminal of the wireless unit with bare hands or metallic materials.
12. Always remove the battery on the product when installing the wireless unit into it.
13. When opening the lid of the slot, avoid the place where dust and water may come into the slot. Always keep the inlet of the slot clean.
14. Always insert the wireless unit in the correct direction.
15. Do not press the wireless activation button on the wireless unit too hard and/or press the button with an object with a sharp edge.
16. Always close the lid of the slot when operating.
17. Do not remove the wireless unit from the slot while the power is being supplied to the tool. Doing so may cause a malfunction of the wireless unit.
18. Do not remove the sticker on the wireless unit.
19. Do not put any sticker on the wireless unit.
20. Do not leave the wireless unit in a place where static electricity or electrical noise could be generated.
21. Do not leave the wireless unit in a place subject to high heat, such as a car sitting in the

sun.

22. Do not leave the wireless unit in a dusty or powdery place or in a place corrosive gas could be generated.
23. Sudden change of the temperature may bedew the wireless unit. Do not use the wireless unit until the dew is completely dried.
24. When cleaning the wireless unit, gently wipe with a dry soft cloth. Do not use benzine, thinner, conductive grease or the like.
25. When storing the wireless unit, keep it in the supplied case or a static-free container.
26. Do not insert any devices other than Makita wireless unit into the slot on the tool.
27. Do not use the tool with the lid of the slot damaged. Water, dust, and dirt come into the slot may cause malfunction.
28. Do not pull and/or twist the lid of the slot more than necessary. Restore the lid if it comes off from the tool.
29. Replace the lid of the slot if it is lost or damaged.

SAVE THESE INSTRUCTIONS.

FUNCTIONAL DESCRIPTION

⚠ CAUTION: Always be sure that the tool is switched off and the battery cartridge is removed before adjusting or checking function on the tool.

Installing or removing battery cartridge

⚠ CAUTION: Always switch off the tool before installing or removing of the battery cartridge.

⚠ CAUTION: Hold the tool and the battery cartridge firmly when installing or removing battery cartridge. Failure to hold the tool and the battery cartridge firmly may cause them to slip off your hands and result in damage to the tool and battery cartridge and a personal injury.

To install the battery cartridge, align the tongue on the battery cartridge with the groove in the housing and slip it into place. Insert it all the way until it locks in place with a little click. If you can see the red indicator as shown in the figure, it is not locked completely.

To remove the battery cartridge, slide it from the tool while sliding the button on the front of the cartridge.

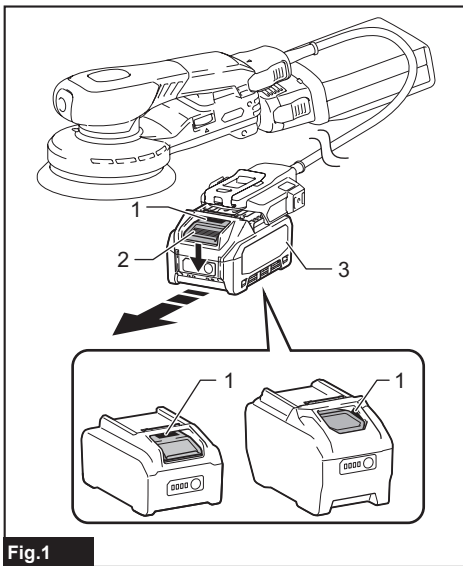


Fig.1

► 1. Red indicator 2. Button 3. Battery cartridge

CAUTION: Always install the battery cartridge fully until the red indicator cannot be seen. If not, it may accidentally fall out of the tool, causing injury to you or someone around you.

CAUTION: Do not install the battery cartridge forcibly. If the cartridge does not slide in easily, it is not being inserted correctly.

Indicating the remaining battery capacity

Press the check button on the battery cartridge to indicate the remaining battery capacity. The indicator lamps light up for a few seconds.

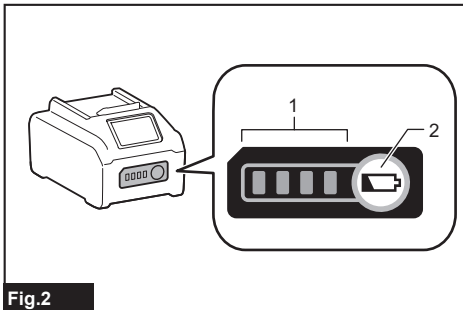


Fig.2

► 1. Indicator lamps 2. Check button

Indicator lamps			Remaining capacity
Lighted	Off	Blinking	
■ ■ ■ ■			75% to 100%
■ ■ ■ □			50% to 75%
■ ■ □ □			25% to 50%
■ □ □ □			0% to 25%
▬ □ □ □			Charge the battery.
■ ■ □ □			The battery may have malfunctioned.
□ □ ■ ■	↑ ↓		

NOTE: Depending on the conditions of use and the ambient temperature, the indication may differ slightly from the actual capacity.

NOTE: The first (far left) indicator lamp will blink when the battery protection system works.

Switch action

CAUTION: Avoid turning the tool on while it is placed on the workpiece or on your workbench. It may cause personal injury or damage.

Turning the tool on and off

Press the power button to start the tool.
Press the power button again to stop the tool.

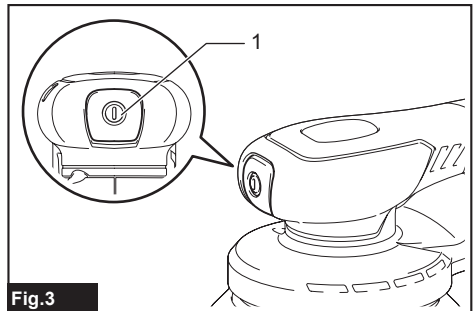


Fig.3

► 1. Power button

Speed adjusting dial

NOTICE: If the tool is operated continuously at low speeds for a long time, the motor will get overloaded, resulting in tool malfunction.

NOTICE: The speed adjusting dial can be turned only as far as 5 and back to 1. Do not force it past 5 or 1, or the speed adjusting function may no longer work.

The rotating speed can be changed by turning the speed adjusting dial. Higher speed is obtained when the dial is turned in the direction of number 5. And lower speed is obtained when it is turned in the direction of number 1.

Refer to the table for the relationship between the number settings on the dial and the approximate rotating speed.

Number	Orbits per minute
1	6,000
2	6,500
3	8,000
4	9,500
5	10,000

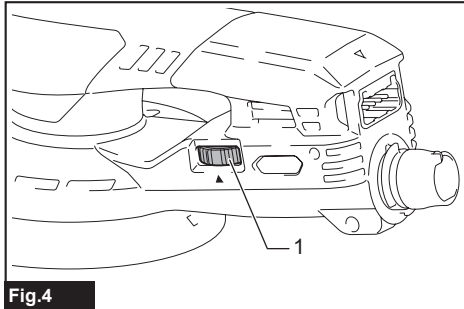


Fig.4

▶ 1. Speed adjusting dial

Electronic function

The tool is equipped with following electronic function(s) for easy operation.

Soft start feature

The soft start feature reduces starting shock.

Constant speed control

Electronic speed control for obtaining constant speed. This feature enables the fine finish because the tool speed remains constant even under load.

Electric brake

The electric brake stops the tool quickly for safety and convenient operation.

Accidental re-start preventive function

When any power source (e.g. the battery cartridge, etc.) is connected to the tool while pressing the power button, the tool does not start.

To start the tool, press the power button again.

Tool / battery protection system

The tool is equipped with a tool/battery protection system. This system automatically cuts off power to the motor to extend tool and battery life. The tool will automatically stop during operation if the tool or battery is placed under one of the following conditions:

Overload protection

When the tool or battery is operated in a manner that causes it to draw an abnormally high current, the tool automatically stops without any indication. In this situation, turn the tool off and stop the application that caused the tool to become overloaded. Then turn the tool on to restart.

Overheat protection

When the tool or battery is overheated, the tool stops automatically. In this case, let the tool and battery cool before turning the tool on again.

Overdischarge protection

When the battery capacity is not enough, the tool stops automatically. In this case, remove the battery from the tool and charge the battery.

Protections against other causes

Protection system is also designed for other causes that could damage the tool and allows the tool to stop automatically. Take all the following steps to clear the causes, when the tool has been brought to a temporary halt or stop in operation.

1. Make sure that all switch(es) is/are in the off position, and then turn the tool on again to restart.
2. Charge the battery(ies) or replace it/them with recharged battery(ies).
3. Let the tool and battery(ies) cool down.

If no improvement can be found by restoring protection system, then contact your local Makita Service Center.

ASSEMBLY

CAUTION: Always be sure that the tool is switched off and the battery cartridge is removed before carrying out any work on the tool.

Installing or removing the pad saver

The pad saver prevents wear of the hook-and-loop on the pad.

1. To install the pad saver, remove all dirt and foreign matter from the pad.

2. Attach the pad saver to the pad by aligning the screw holes and dust-suction holes on each of the pad saver and pad.

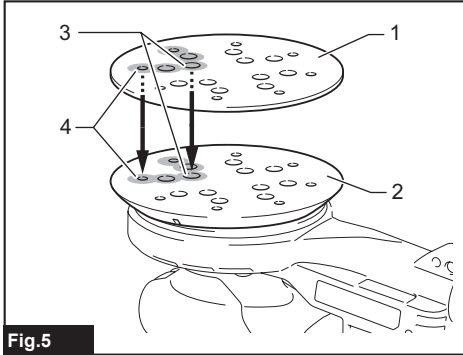


Fig.5

- 1. Pad saver 2. Pad 3. Screw holes 4. Dust-suction holes

When the hook-and-loop on the pad saver wears out, remove the pad saver and install a new one.

To remove the pad saver, peel the pad saver off from the edge.

Installing or removing abrasive paper

CAUTION: Make sure that the abrasive paper is installed securely before use. Otherwise the abrasive paper may be removed easily that causes slipping and results uneven sanding operation.

CAUTION: Make sure that the pad is installed correctly and securely. A loose attachment will run out of balance and cause an excessive vibration resulting in loss of control.

CAUTION: Be sure that a pad, pad saver and abrasive paper are aligned and securely attached.

CAUTION: Only use abrasive papers. Never use pressure-sensitive abrasive papers.

NOTE: The abrasive paper can be attached also on the pad directly.

1. Remove all dirt and foreign matter from the pad saver.

2. Attach a abrasive sheet to the pad saver.

— For paper type abrasive sheet with dust-suction holes, align the dust-suction holes in the paper with those in the pad saver.

— For net type abrasive sheet, align the outer shape with the pad saver.

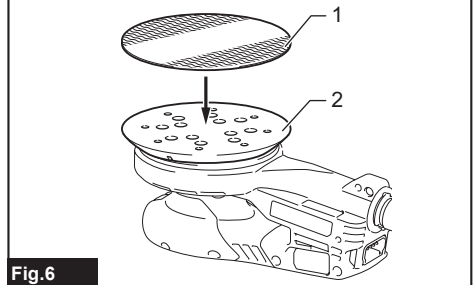
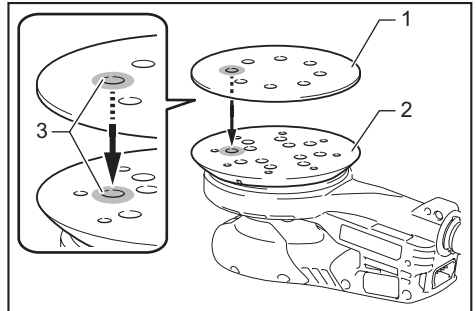


Fig.6

- 1. Abrasive sheet 2. Pad saver 3. Dust-suction holes

To remove the abrasive sheet, peel the abrasive sheet off from the edge while holding the pad saver to prevent it from being peeled together.

Installing and removing dust bag

Attach the dust bag assembly over the dust spout at the back end of the motor housing. Put the dust inlet onto the dust spout all the way until it locks in place.

To remove the dust bag assembly, hold and pull the dust cap.

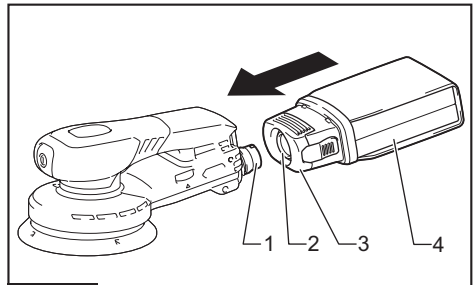


Fig.7

- 1. Dust spout 2. Dust inlet 3. Dust cap 4. Dust bag

NOTICE: Do not hold the dust bag when carrying the tool. Otherwise, the tool may fall and be damaged.

Disposing of dust

To ensure optimal dust collecting, empty the dust bag when it becomes filled to approximately half of its capacity.

1. Remove the dust bag from the dust cap while pressing both buttons.
2. Gently tap the bottom of dust bag to empty.

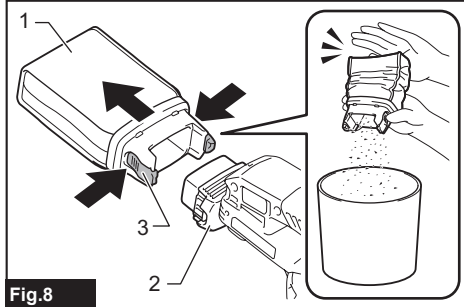


Fig.8

- 1. Dust bag 2. Dust cap 3. Button

Connecting with vacuum cleaner

When you wish to perform clean sanding operation, connect a Makita vacuum cleaner to your tool.

NOTICE: When operating the tool with the backpack vacuum cleaner, always use the front cuff (supplied with the tool). Doing so will reduce static electricity.

1. Remove the other cuff from the hose if it is attached.
2. Screw in the front cuff supplied with the tool onto the hose. Make sure that the front cuff is securely screwed in the hose.

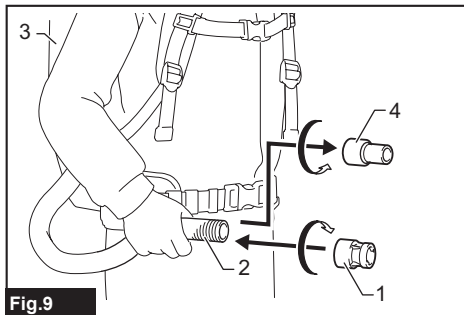


Fig.9

- 1. Front cuff (supplied with the tool) 2. Hose
3. Vacuum cleaner 4. Other cuff

3. Attach the front cuff over the dust spout of the tool.

Put the front cuff onto the dust spout all the way and then turn the front cuff tightly in the arrow as shown in the figure .

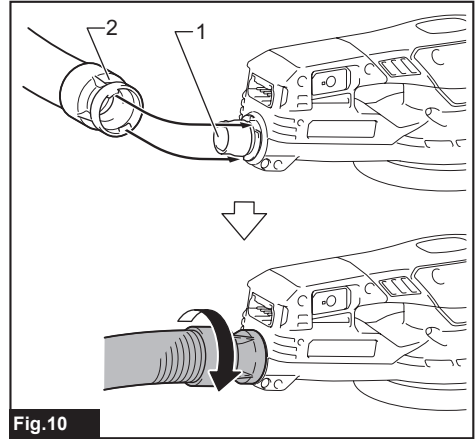


Fig.10

- 1. Dust spout 2. Front cuff (supplied with the tool)

For vacuum cleaner that is not backpack type

You can connect the hose with also the front cuff 22 and the front cuff 24. The front cuff 22 and the front cuff 24 are the optional accessories or supplied with the vacuum cleaner.

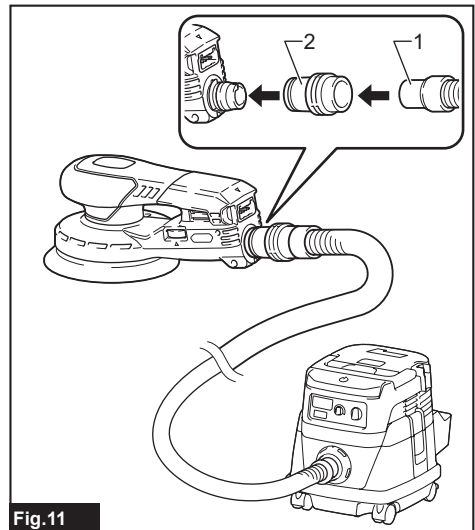


Fig.11

- 1. Front cuff 22 (optional accessory or supplied with the vacuum cleaner) 2. Front cuff 24 (optional accessory or supplied with the vacuum cleaner)

Installing or removing the battery adapter

NOTICE: Make sure that there is no dust accumulation at the connection between the tool and battery adapter. Dust accumulation may cause malfunction.

1. To install the battery adapter, align the arrow mark on the battery adapter with that of the tool.
2. Insert the battery adapter all the way until it locks in place with a little click.

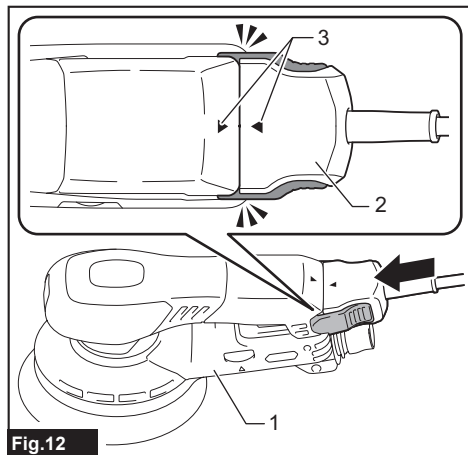


Fig.12

- 1. Tool 2. Battery adapter 3. Arrow mark

To remove the battery adapter, slide the battery adapter off while pushing down both buttons.

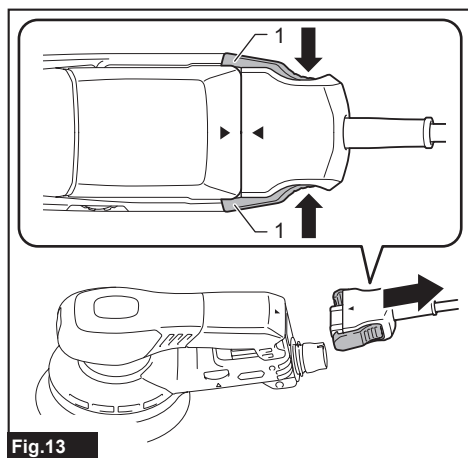


Fig.13

- 1. Button

Setting up the battery adapter

CAUTION: Do not operate the tool if the connection cord is damaged.

NOTICE: Do not abuse the connection cord. Do not carry the tool by pulling the connection cord. Keep the connection cord away from heat, oil, or sharp edges. Otherwise the connection cord may be damaged.

Hang the battery adapter on the waist belt. The cord holder helps the cord handling. Attach the cord holder if necessary with screw on right or left of the battery adapter.

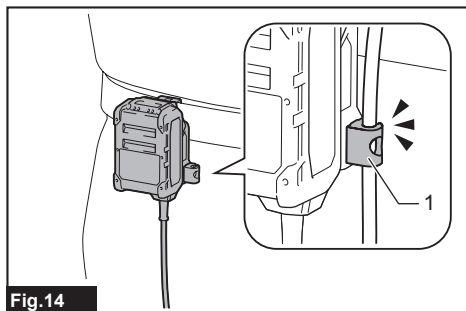


Fig.14

- 1. Cord holder

Arm band

The arm band is convenient for the cord handling.

1. Put the arm band on your arm, and then adjust the length of the arm band.
2. Press in the connection cord through the opening of the holder.

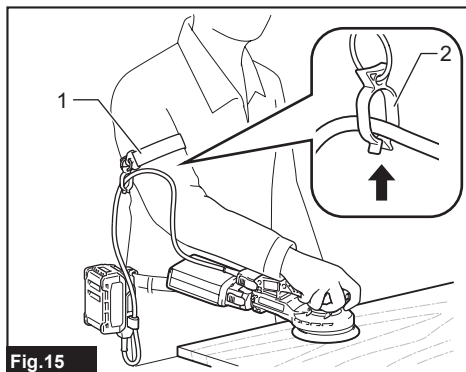


Fig.15

- 1. Arm band 2. Holder with the opening

CAUTION: Do not force the opening of the holder. Failure to do so may cause deflection and damage to it.

Hose band

Included in **Battery adapter with 5 m (16.4 ft) cord (optional accessory)**

When using the vacuum cleaner connected to the tool, the hose band can be used for holding the cord and hose to prevent the tangle.

Hold the cord and hose with the hose band at intervals of approximately 1 m (3.3 ft) as shown in the figure.

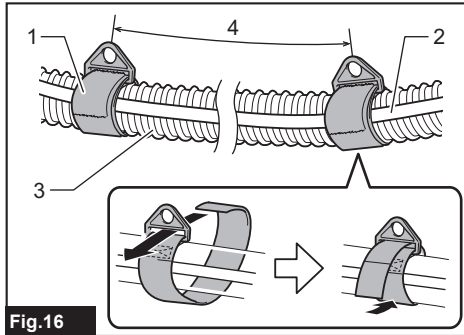


Fig.16

► 1. Hose band 2. Cord 3. Hose 4. Approximately 1 m (3.3 ft)

OPERATION

Sanding operation

CAUTION: Always be sure that the workpiece is secured firmly.

CAUTION: Wear a dust mask when working with much dust.

CAUTION: Do not touch the rotating abrasive paper. Failure to do so may result in a personal injury.

NOTICE: Never run the tool without the abrasive paper. You may seriously damage the pad saver or the pad.

NOTICE: Never force the tool. Excessive pressure may decrease the sanding efficiency, damage the abrasive paper and/or shorten the tool life.

NOTICE: Do not use the tool for polishing. Do not attach the polishing accessory such as the sponge on the tool. Otherwise malfunction may occur.

Hold the tool firmly. Turn the tool on and wait until it attains the adjusted speed. Then gently place the tool on the workpiece surface. Keep the pad flush with the workpiece and do not bear down on the tool.

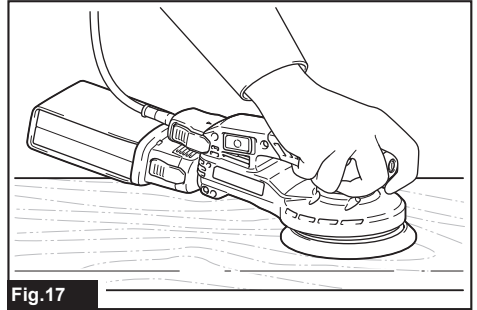


Fig.17

Operation with the harness

Optional accessory

The harness allows the operation while carrying the battery adapter on your back.

The carabiner can be attached to the harness. The tool can be hooked onto the carabiner by using the hook.

For the installation of the hook, refer to "Installing hook".

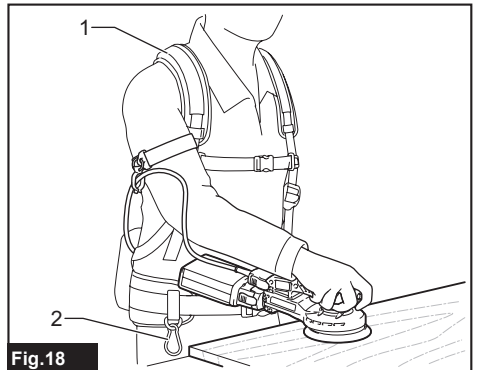


Fig.18

► 1. Harness 2. Carabiner

Operation with the protection cover

Optional accessory

NOTICE: Before you select the protection cover, make sure that the protection cover is compatible with your backpack vacuum cleaner. The protection cover can be attached to the only specific models of backpack vacuum cleaner.

Examples of the compatible model:

- VC008G / GCV05
- VC009G / GCV06

Above are part of the examples. For details, ask our service center whether your backpack vacuum cleaner is compatible to the protection cover or not.

The protection cover protects the backpack vacuum cleaner and the battery adapter, and allows the operation with carrying the backpack vacuum cleaner and the battery adapter together on your back.

1. Remove the screws that secure the harness of the backpack vacuum cleaner.

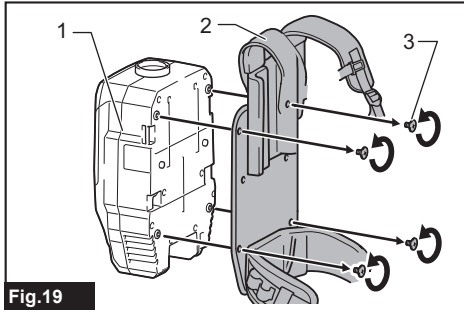


Fig. 19

1. Backpack vacuum cleaner 2. Harness of the backpack vacuum cleaner 3. Screw

2. Wrap the backpack vacuum cleaner with the protection cover (for backpack vacuum cleaner).

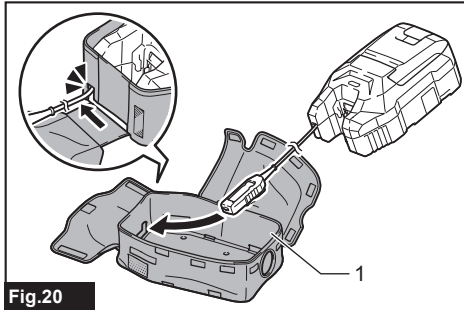


Fig. 20

1. Protection cover (for backpack vacuum cleaner)

3. Secure the harness of the backpack vacuum cleaner by fastening the screws.

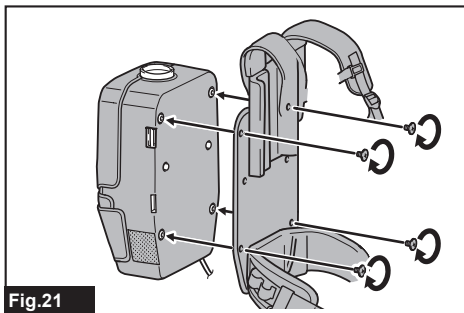


Fig. 21

4. Store the battery parts of the battery adapter in the protection cover (for the battery adapter), and then loop the protection cover (for the battery adapter) on the harness as shown in the figure.

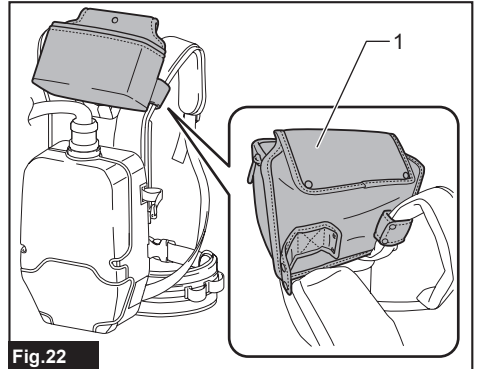


Fig. 22

1. Protection cover (for the battery adapter)

5. The carabiner can be attached to the harness. The tool can be hooked onto the carabiner by using the hook. For the installation of the hook, refer to "Installing hook".

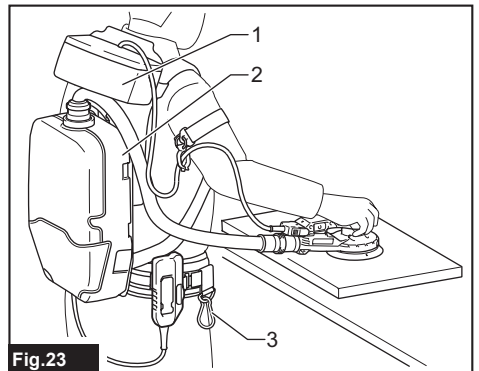


Fig. 23

1. Protection cover (for the battery adapter)
2. Protection cover (for backpack vacuum cleaner)
3. Carabiner

Installing hook

Included in Harness / Protection cover (optional accessory)

⚠ WARNING: Use the hanging/mounting parts for their intended purposes only, e.g., hanging the tool on a tool belt between jobs or work intervals.

⚠ WARNING: Be careful not to overload the hook as too much force. Otherwise irregular overburden may cause damages to the tool resulting in personal injury.

CAUTION: When installing the hook, always secure it with the screw firmly. If not, the hook may come off from the tool and result in the personal injury.

CAUTION: Make sure to hang the tool securely before releasing your hold. Insufficient or unbalanced hooking may cause falling off and you may be injured.

The hook is supplied with the harness and the protection cover.

The tool can be hooked onto the carabiner by using the hook.

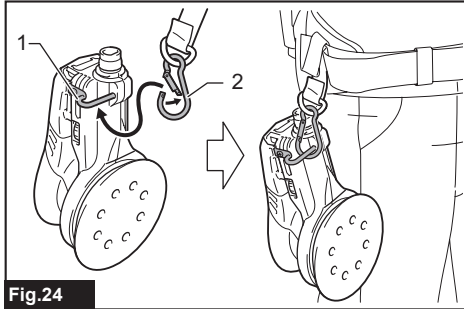


Fig.24

► 1. Hook 2. Carabiner

The hook can be installed on either side of the tool. To install the hook, insert it into the hole in the tool, and then secure the hook with a screw. To remove, loosen the screw and then take it out.

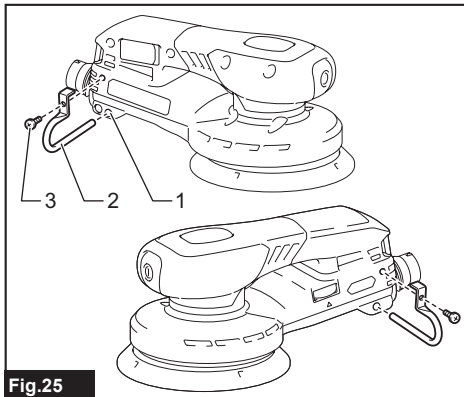


Fig.25

► 1. Hole 2. Hook 3. Screw

WIRELESS ACTIVATION FUNCTION

What you can do with the wireless activation function

The wireless activation function enables clean and comfortable operation. By connecting a supported vacuum cleaner to the tool, you can run the vacuum cleaner automatically along with the switch operation of the tool.

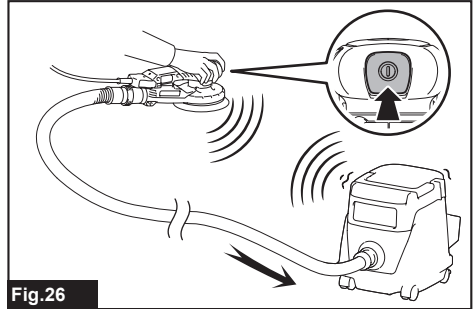


Fig.26

To use the wireless activation function, prepare following items:

- A wireless unit (optional accessory)
- A vacuum cleaner which supports the wireless activation function

The overview of the wireless activation function setting is as follows. Refer to each section for detail procedures.

1. Installing the wireless unit
2. Tool registration for the vacuum cleaner
3. Starting the wireless activation function

Installing the wireless unit

Optional accessory

CAUTION: Place the tool on a flat and stable surface when installing the wireless unit.

NOTICE: Clean the dust and dirt on the tool before installing the wireless unit. Dust or dirt may cause malfunction if it comes into the slot of the wireless unit.

NOTICE: To prevent the malfunction caused by static, touch a static discharging material, such as a metal part of the tool, before picking up the wireless unit.

NOTICE: When installing the wireless unit, always be sure that the wireless unit is inserted in the correct direction and the lid is completely closed.

1. Open the lid on the tool as shown in the figure.

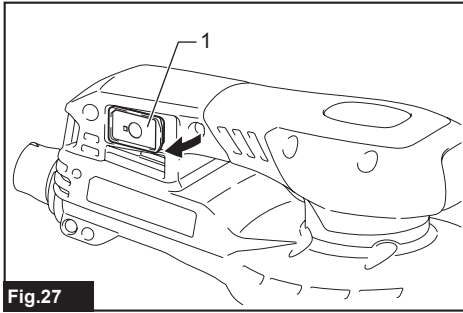


Fig.27

- 1. Lid

2. Insert the wireless unit to the slot and then close the lid.

When inserting the wireless unit, align the projections with the recessed portions on the slot.

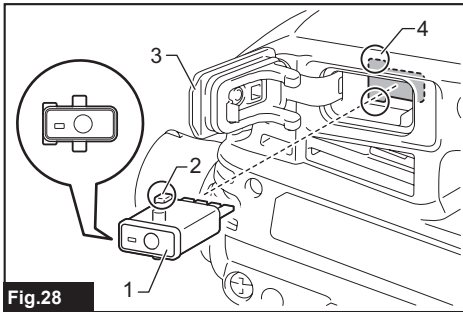


Fig.28

- 1. Wireless unit 2. Projection 3. Lid 4. Recessed portion

When removing the wireless unit, open the lid slowly. The hooks on the back of the lid will lift the wireless unit as you pull up the lid.

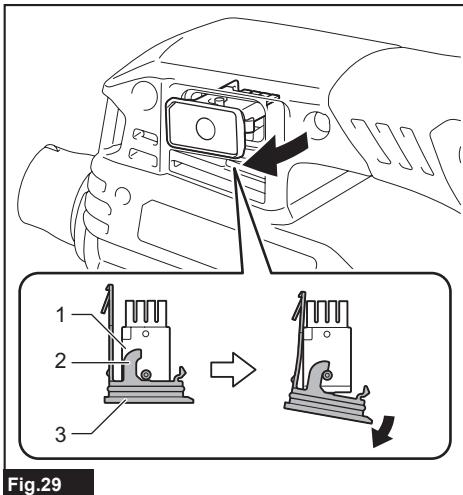


Fig.29

- 1. Wireless unit 2. Hook 3. Lid

After removing the wireless unit, keep it in the supplied case or a static-free container.

NOTICE: Always use the hooks on the back of the lid when removing the wireless unit. If the hooks do not catch the wireless unit, close the lid completely and open it slowly again.

Tool registration for the vacuum cleaner

NOTE: A Makita vacuum cleaner supporting the wireless activation function is required for the tool registration.

NOTE: Finish installing the wireless unit to the tool before starting the tool registration.

NOTE: During the tool registration, do not pull the switch trigger or turn on the power switch on the vacuum cleaner.

NOTE: Refer to the instruction manual of the vacuum cleaner, too.

If you wish to activate the vacuum cleaner along with the switch operation of the tool, finish the tool registration beforehand.

1. Install the batteries to the vacuum cleaner and the tool.
2. Set the stand-by switch on the vacuum cleaner to "AUTO".

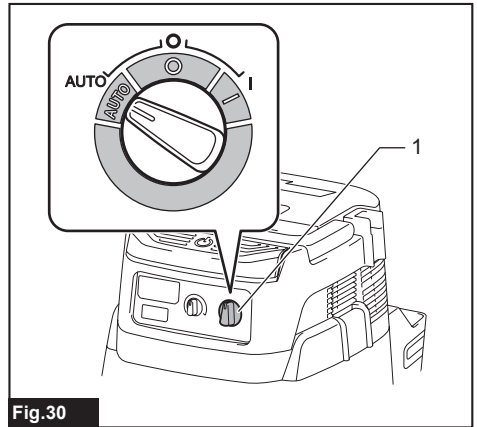


Fig.30

- 1. Stand-by switch

3. Press the wireless activation button on the vacuum cleaner for 3 seconds until the wireless activation lamp blinks in green. And then press the wireless activation button on the tool in the same way.

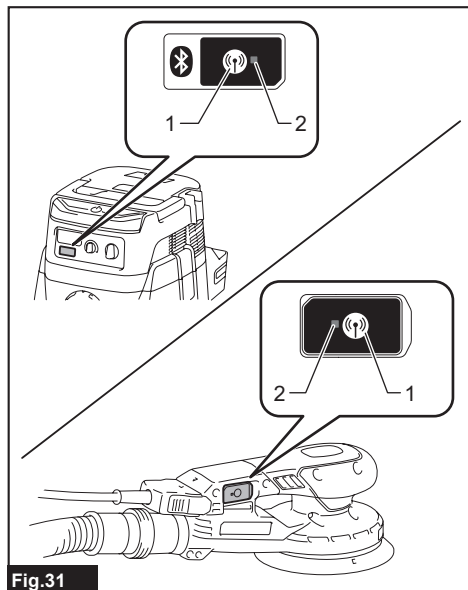


Fig.31

► 1. Wireless activation button 2. Wireless activation lamp

If the vacuum cleaner and the tool are linked successfully, the wireless activation lamps will light up in green for 2 seconds and start blinking in blue.

NOTE: The wireless activation lamps finish blinking in green after 20 seconds elapsed. Press the wireless activation button on the tool while the wireless activation lamp on the cleaner is blinking. If the wireless activation lamp does not blink in green, push the wireless activation button briefly and hold it down again.

NOTE: When performing two or more tool registrations for one vacuum cleaner, finish the tool registration one by one.

Starting the wireless activation function

NOTE: Finish the tool registration for the vacuum cleaner prior to the wireless activation.

NOTE: Refer to the instruction manual of the vacuum cleaner, too.

After registering a tool to the vacuum cleaner, the vacuum cleaner will automatically run along with the switch operation of the tool.

1. Install the wireless unit to the tool.

2. Connect the hose of the vacuum cleaner with the tool.

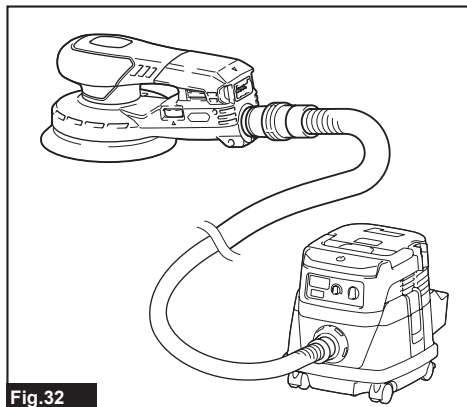


Fig.32

3. Set the stand-by switch on the vacuum cleaner to "AUTO".

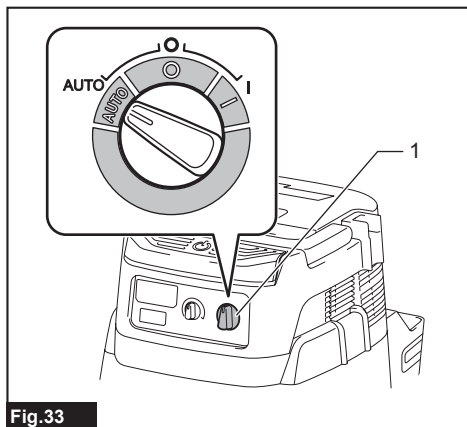


Fig.33

► 1. Stand-by switch

4. Push the wireless activation button on the tool briefly. The wireless activation lamp will blink in blue.

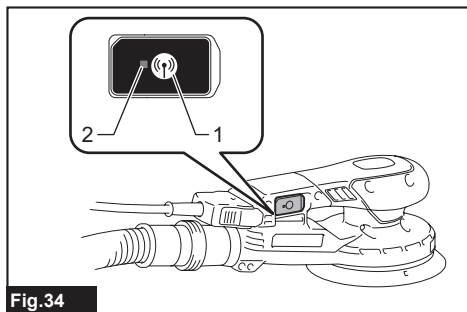


Fig.34

► 1. Wireless activation button 2. Wireless activation lamp

5. Turn on the tool. Check if the vacuum cleaner runs while the tool is operating.

To stop the wireless activation of the vacuum cleaner, push the wireless activation button on the tool.

NOTE: The wireless activation lamp on the tool will stop blinking in blue when there is no operation for 2 hours. In this case, set the stand-by switch on the vacuum cleaner to "AUTO" and push the wireless activation button on the tool again.

NOTE: The vacuum cleaner starts/stops with a delay. There is a time lag when the vacuum cleaner detects a switch operation of the tool.

NOTE: The transmission distance of the wireless unit may vary depending on the location and surrounding circumstances.

NOTE: When two or more tools are registered to one vacuum cleaner, the vacuum cleaner may start running even if you do not turn on your tool because another user is using the wireless activation function.

Description of the wireless activation lamp status

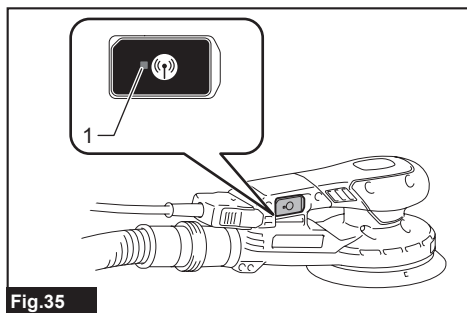


Fig.35

► 1. Wireless activation lamp

The wireless activation lamp shows the status of the wireless activation function. Refer to the table below for the meaning of the lamp status.

Status	Wireless activation lamp				Description
	Color	<input type="checkbox"/> On	<input type="checkbox"/> Blinking	Duration	
Standby	Blue	<input checked="" type="checkbox"/>		2 hours	The wireless activation of the vacuum cleaner is available. The lamp will automatically turn off when no operation is performed for 2 hours.
		<input type="checkbox"/>		When the tool is running.	The wireless activation of the vacuum cleaner is available and the tool is running.
Tool registration	Green	<input checked="" type="checkbox"/>		20 seconds	Ready for the tool registration. Waiting for the registration by the vacuum cleaner.
		<input type="checkbox"/>		2 seconds	The tool registration has been finished. The wireless activation lamp will start blinking in blue.
Cancelling tool registration	Red	<input checked="" type="checkbox"/>		20 seconds	Ready for the cancellation of the tool registration. Waiting for the cancellation by the vacuum cleaner.
		<input type="checkbox"/>		2 seconds	The cancellation of the tool registration has been finished. The wireless activation lamp will start blinking in blue.
Others	Red	<input type="checkbox"/>		3 seconds	The power is supplied to the wireless unit and the wireless activation function is starting up.
	Off	-		-	The wireless activation of the vacuum cleaner is stopped.

Cancelling tool registration for the vacuum cleaner

Perform the following procedure when cancelling the tool registration for the vacuum cleaner.

1. Install the batteries to the vacuum cleaner and the tool.
2. Set the stand-by switch on the vacuum cleaner to "AUTO".

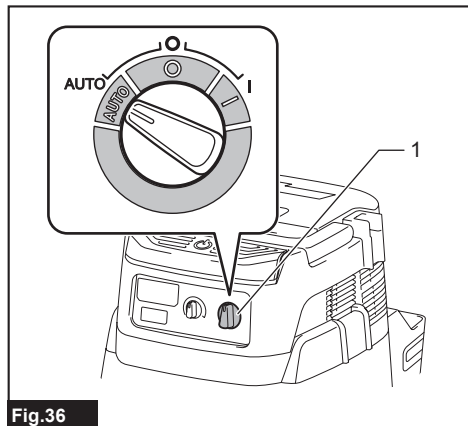


Fig.36

- 1. Stand-by switch

3. Press the wireless activation button on the vacuum cleaner for 6 seconds. The wireless activation lamp blinks in green and then become red. After that, press the wireless activation button on the tool in the same way.

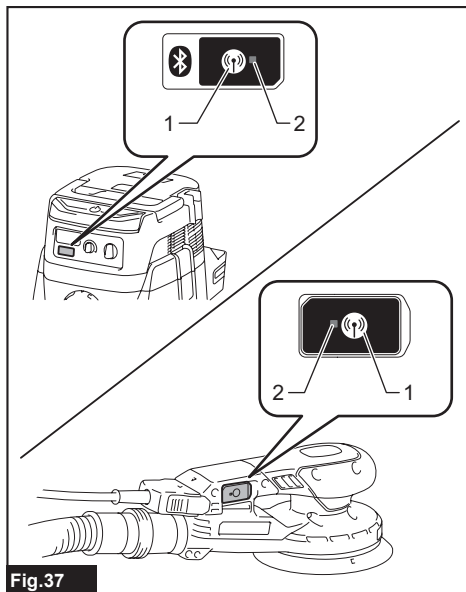


Fig.37

- 1. Wireless activation button 2. Wireless activation lamp

If the cancellation is performed successfully, the wireless activation lamps will light up in red for 2 seconds and start blinking in blue.

NOTE: The wireless activation lamps finish blinking in red after 20 seconds elapsed. Press the wireless activation button on the tool while the wireless activation lamp on the cleaner is blinking. If the wireless activation lamp does not blink in red, push the wireless activation button briefly and hold it down again.

Troubleshooting for wireless activation function

Before asking for repairs, conduct your own inspection first. If you find a problem that is not explained in the manual, do not attempt to dismantle the tool. Instead, ask Makita Authorized Service Centers, always using Makita replacement parts for repairs.

State of abnormality	Probable cause (malfunction)	Remedy
The wireless activation lamp does not light/blink.	The wireless unit is not installed into the tool. The wireless unit is improperly installed into the tool.	Install the wireless unit correctly.
	The terminal of the wireless unit and/or the slot is dirty.	Gently wipe off dust and dirt on the terminal of the wireless unit and clean the slot.
	The wireless activation button on the tool has not been pushed.	Push the wireless activation button on the tool briefly.
	The stand-by switch on the vacuum cleaner is not set to "AUTO".	Set the stand-by switch on the vacuum cleaner to "AUTO".
	No power supply	Supply the power to the tool and the vacuum cleaner.
Cannot finish tool registration / cancelling tool registration successfully.	The wireless unit is not installed into the tool. The wireless unit is improperly installed into the tool.	Install the wireless unit correctly.
	The terminal of the wireless unit and/or the slot is dirty.	Gently wipe off dust and dirt on the terminal of the wireless unit and clean the slot.
	The stand-by switch on the vacuum cleaner is not set to "AUTO".	Set the stand-by switch on the vacuum cleaner to "AUTO".
	No power supply	Supply the power to the tool and the vacuum cleaner.
	Incorrect operation	Push the wireless activation button briefly and perform the tool registration/cancellation procedures again.
	The tool and vacuum cleaner are away from each other (out of the transmission range).	Get the tool and vacuum cleaner closer to each other. The maximum transmission distance is approximately 10 m however it may vary according to the circumstances.
	Before finishing the tool registration/cancellation; - the switch of the tool is turned on or; - the power button on the vacuum cleaner is turned on.	Push the wireless activation button briefly and perform the tool registration/cancellation procedures again.
	The tool registration procedures for the tool or vacuum cleaner have not finished.	Perform the tool registration procedures for both the tool and the vacuum cleaner at the same timing.
Radio disturbance by other appliances which generate high-intensity radio waves.	Keep the tool and vacuum cleaner away from the appliances such as Wi-Fi devices and microwave ovens.	

State of abnormality	Probable cause (malfunction)	Remedy
The vacuum cleaner does not run along with the switch operation of the tool.	The wireless unit is not installed into the tool. The wireless unit is improperly installed into the tool.	Install the wireless unit correctly.
	The terminal of the wireless unit and/or the slot is dirty.	Gently wipe off dust and dirt on the terminal of the wireless unit and clean the slot.
	The wireless activation button on the tool has not been pushed.	Push the wireless activation button briefly and make sure that the wireless activation lamp is blinking in blue.
	The stand-by switch on the vacuum cleaner is not set to "AUTO".	Set the stand-by switch on the vacuum cleaner to "AUTO".
	More than 10 tools are registered to the vacuum cleaner.	Perform the tool registration again. If more than 10 tools are registered to the vacuum cleaner, the tool registered earliest will be cancelled automatically.
	The vacuum cleaner erased all tool registrations.	Perform the tool registration again.
	No power supply	Supply the power to the tool and the vacuum cleaner.
	The tool and vacuum cleaner are away from each other (out of the transmission range).	Get the tool and vacuum cleaner closer each other. The maximum transmission distance is approximately 10 m however it may vary according to the circumstances.
	Radio disturbance by other appliances which generate high-intensity radio waves.	Keep the tool and vacuum cleaner away from the appliances such as Wi-Fi devices and microwave ovens.
The vacuum cleaner runs while the tool is not operating.	Other users are using the wireless activation of the vacuum cleaner with their tools.	Turn off the wireless activation button of the other tools or cancel the tool registration of the other tools.

MAINTENANCE

⚠ CAUTION: Always be sure that the tool is switched off and the battery cartridge is removed before attempting to perform inspection or maintenance.

NOTICE: Never use gasoline, benzine, thinner, alcohol or the like. Discoloration, deformation or cracks may result.

To maintain product SAFETY and RELIABILITY, repairs, any other maintenance or adjustment should be performed by Makita Authorized or Factory Service Centers, always using Makita replacement parts.

After use

Wipe off the tool using a dry cloth or cloth slightly moistened with soapy water at regular intervals.

OPTIONAL ACCESSORIES

⚠ CAUTION: These accessories or attachments are recommended for use with your Makita tool specified in this manual. The use of any other accessories or attachments might present a risk of injury to persons. Only use accessory or attachment for its stated purpose.

If you need any assistance for more details regarding these accessories, ask your local Makita Service Center.

- Abrasive paper (hook and loop)
- Pad saver
- Pad
- Dust bag
- Harness
- Protection cover
- Battery adapter
- Wireless unit
- Makita genuine battery and charger

NOTE: Some items in the list may be included in the tool package as standard accessories. They may differ from country to country.

MAKITA LIMITED WARRANTY

Please refer to the annexed warranty sheet for the most current warranty terms applicable to this product. If annexed warranty sheet is not available, refer to the warranty details set forth at below website for your respective country.

United States of America: www.makitatools.com

Canada: www.makita.ca

Other countries: www.makita.com

SPÉCIFICATIONS

Modèle :	BO001CG	BO002CG	BO003CG	BO004CG
Diamètre du coussinet de support	125 mm (5")	150 mm (6")	125 mm (5")	150 mm (6")
Nombre d'oscillations par minute	6 000 - 10 000 /min			
Diamètre des oscillations	5,0 mm (3/16")		3,0 mm (1/8")	
Longueur totale	234 mm (9-1/4")	247 mm (9-3/4")	233 mm (9-1/8")	246 mm (9-11/16")
Tension nominale	C.C. 36 V - 40 V max			
Poids net *1	0,92 kg (2,0 lbs)	0,98 kg (2,2 lbs)	0,91 kg (2,0 lbs)	0,96 kg (2,1 lbs)

- Étant donné l'évolution constante de notre programme de recherche et développement, les spécifications contenues dans ce manuel sont sujettes à modification sans préavis.
- Les spécifications peuvent varier suivant les pays.
- Le poids, selon la procédure EPTA 01/2014, est indiqué dans le tableau.

* 1 : Poids sans aucun accessoire ou batterie

Batteries et chargeurs applicables

Batterie	BL4020* / BL4025* / BL4040* / BL4040F* / BL4050F / BL4080F * : Batterie recommandée
Chargeur	DC40RA / DC40RB / DC40RC / DC40WA

- Suivant la région où vous habitez, il se peut que certaines des batteries et certains des chargeurs énumérés ci-dessus ne soient pas disponibles.

⚠ MISE EN GARDE : Utilisez exclusivement les batteries et chargeurs énumérés ci-dessus. L'utilisation de toute autre batterie ou tout autre chargeur peut entraîner une blessure et/ou un incendie.

Source d'alimentation connectée au cordon recommandée

Support d'alimentation portable	PDC01 / PDC1200 / PDC1500
---------------------------------	---------------------------

- Suivant la région où vous habitez, il se peut que la ou les sources d'alimentation connectées au cordon énumérées ci-dessus ne soient pas disponibles.
- Avant d'utiliser la source d'alimentation connectée au cordon, lisez les instructions et indications de mise en garde qui se trouvent sur celle-ci.

CONSIGNES DE SÉCURITÉ

Consignes de sécurité générales pour outils électriques

⚠ MISE EN GARDE Veuillez lire l'ensemble des consignes de sécurité, instructions, illustrations et spécifications fournies pour cet outil électrique. Il existe un risque de décharge électrique, d'incendie et/ou de blessures graves si toutes les instructions énumérées ci-dessous ne sont pas respectées.

Conservez toutes les mises en garde et instructions pour référence future.

Le terme « outil électrique » qui figure dans les avertissements fait référence à un outil électrique branché sur une prise de courant (par un cordon d'alimentation) ou

alimenté par batterie (sans fil).

Sécurité de la zone de travail

1. **Maintenez la zone de travail propre et bien éclairée.** Les zones de travail encombrées ou sombres ouvrent grande la porte aux accidents.
2. **N'utilisez pas les outils électriques dans les atmosphères explosives, par exemple en présence de liquides, gaz ou poussières inflammables.** Les outils électriques produisent des étincelles au contact desquelles la poussière ou les vapeurs peuvent s'enflammer.
3. **Assurez-vous qu'aucun enfant ou curieux ne s'approche pendant que vous utilisez un outil électrique.** Vous risquez de perdre la maîtrise de l'outil si votre attention est détournée.

Sécurité en matière d'électricité

1. **Les fiches d'outil électrique sont conçues pour s'adapter parfaitement aux prises de courant. Ne modifiez jamais la fiche de quelque façon que ce soit. N'utilisez aucun adaptateur de**

- fiche sur les outils électriques avec mise à la terre.** En ne modifiant pas les fiches et en les insérant dans des prises de courant pour lesquelles elles ont été conçues, vous réduirez les risques de choc électrique.
2. **Évitez tout contact corporel avec les surfaces mises à la terre, telles que tuyaux, radiateurs, cuisinières et réfrigérateurs.** Le risque de choc électrique est plus élevé si votre corps se trouve mis à la terre.
 3. **N'exposez pas les outils électriques à la pluie ou à l'eau.** La présence d'eau dans un outil électrique augmente le risque de choc électrique.
 4. **Ne maltraitez pas le cordon. N'utilisez jamais le cordon pour transporter, tirer ou débrancher l'outil électrique. Maintenez le cordon à l'écart des sources de chaleur, de l'huile, des objets à bords tranchants et des pièces en mouvement.** Le risque de choc électrique est plus élevé lorsque les cordons sont endommagés ou enchevêtrés.
 5. **Lorsque vous utilisez un outil électrique à l'extérieur, utilisez un cordon prolongateur conçu pour l'usage extérieur.** Le risque de choc électrique est moindre lorsqu'un cordon conçu pour l'usage extérieur est utilisé.
 6. **Si vous devez utiliser un outil électrique dans un endroit humide, utilisez une source d'alimentation protégée par un disjoncteur de fuite à la terre.** L'utilisation d'un disjoncteur de fuite à la terre réduit le risque de choc électrique.
 7. **Les outils électriques peuvent produire des champs électromagnétiques (CEM) qui ne sont pas préjudiciables à l'utilisateur.** Les utilisateurs de stimulateur cardiaque ou autres appareils médicaux similaires doivent toutefois demander conseil au fabricant et/ou à leur médecin avant d'utiliser cet outil électrique.
5. **Ne vous étirez pas exagérément. Assurez-vous d'une bonne prise au sol et d'un bon équilibre en tout temps.** Cela vous permettra d'avoir une meilleure maîtrise de l'outil électrique dans les situations imprévues.
 6. **Habilitez-vous convenablement. Ne portez pas de vêtement ample ou des bijoux. Maintenez vos cheveux et vos vêtements à l'écart des pièces mobiles.** Les vêtements amples, les bijoux et les cheveux longs peuvent rester pris dans les pièces mobiles.
 7. **Si des accessoires sont fournis pour raccorder un appareil d'aspiration et de collecte de la poussière, assurez-vous qu'ils sont correctement raccordés et qu'ils sont utilisés de manière adéquate.** L'utilisation d'un appareil de collecte permet de réduire les risques liés à la présence de poussière dans l'air.
 8. **Évitez d'être complaisant et d'ignorer les principes de sécurité de l'outil en raison de la familiarité acquise par un usage fréquent des outils.** Un geste imprudent peut entraîner une grave blessure en une fraction de seconde.
 9. **Portez toujours des lunettes à coques de protection pour protéger vos yeux contre les blessures lors de l'utilisation d'outils électriques. Les lunettes à coques doivent être conformes à ANSI Z87.1 aux États-Unis.** L'employeur a la responsabilité d'imposer l'utilisation d'équipements de protection de sécurité adéquats aux utilisateurs des outils électriques et à toute autre personne se trouvant dans la zone de travail immédiate.

Utilisation et entretien des outils électriques

Sécurité personnelle

1. **Restez alerte, attentif à vos mouvements et faites preuve de bon sens lorsque vous utilisez un outil électrique. N'utilisez pas les outils électriques si vous êtes fatigué ou avez pris une drogue, de l'alcool ou un médicament.** Un moment d'inattention pendant l'utilisation d'un outil électrique peut entraîner une grave blessure.
2. **Portez des dispositifs de protection personnelle. Portez toujours une protection oculaire.** Les risques de blessure seront moins élevés si vous utilisez des dispositifs de protection tels qu'un masque anti-poussière, des chaussures à semelle antidérapante, une coiffure résistante ou une protection d'oreilles.
3. **Évitez les démarrages accidentels. Assurez-vous que l'interrupteur est en position d'arrêt avant de brancher l'outil à la prise de courant et/ou au bloc-piles, et avant de prendre ou de transporter l'outil.** Vous ouvrez la porte aux accidents si vous transportez les outils électriques avec le doigt sur l'interrupteur ou si vous les branchez alors que l'interrupteur est en position de marche.
4. **Retirez toute clé de réglage ou de serrage avant de mettre l'outil électrique sous tension.** Toute clé laissée en place sur une pièce rotative de l'outil électrique peut entraîner une blessure.
1. **Ne forcez pas l'outil électrique. Utilisez l'outil électrique adéquat suivant le type de travail à effectuer.** Si vous utilisez l'outil électrique adéquat et respectez le régime pour lequel il a été conçu, il effectuera un travail de meilleure qualité et plus sécuritaire.
2. **N'utilisez pas l'outil électrique s'il n'est pas possible de l'allumer et de l'éteindre avec son interrupteur.** Un outil électrique dont l'interrupteur est défectueux représente un danger et doit être réparé.
3. **Avant d'effectuer tout réglage, de remplacer un accessoire ou de ranger l'outil électrique, débranchez la fiche de la source d'alimentation et/ou retirez la batterie de l'outil électrique si elle est amovible.** Ces mesures préventives de sécurité réduisent les risques de démarrage accidentel de l'outil électrique.
4. **Après l'utilisation d'un outil électrique, rangez-le hors de portée des enfants et ne laissez aucune personne l'utiliser si elle n'est pas familiarisée avec l'outil électrique ou les présentes instructions d'utilisation.** Les outils électriques représentent un danger entre les mains de personnes qui n'en connaissent pas le mode d'utilisation.
5. **Effectuez l'entretien des outils électriques et des accessoires. Assurez-vous que les pièces mobiles ne sont pas désalignées ou coincées, qu'aucune pièce n'est cassée et que l'outil électrique n'a subi aucun dommage affectant**

son bon fonctionnement. Le cas échéant, faites réparer l'outil électrique avant de l'utiliser. De nombreux accidents sont causés par des outils électriques mal entretenus.

6. **Maintenez les outils tranchants bien aiguisés et propres.** Un outil tranchant dont l'entretien est effectué correctement et dont les bords sont bien aiguisés risquera moins de se coincer et sera plus facile à maîtriser.
7. **Utilisez l'outil électrique, ses accessoires, ses embouts, etc., en respectant les présentes instructions, en tenant compte des conditions de travail et du type de travail à effectuer.** L'utilisation d'un outil électrique pour d'autres usages que ceux prévus peut entraîner une situation dangereuse.
8. **Gardez les poignées et surfaces de saisie sèches, propres et exemptes d'huile et de graisse.** Les poignées et surfaces de saisie glissantes ne permettent pas une manipulation sûre et une bonne maîtrise de l'outil dans les situations inattendues.
9. **Lors de l'utilisation de l'outil, ne portez pas de gants de travail en tissu qui risquent de s'enchevêtrer dans l'outil.** L'enchevêtrement de gants de travail en tissu dans les pièces en mouvement peut entraîner une blessure.

Utilisation et entretien des outils alimentés par batterie

1. **Pour recharger, utilisez uniquement le chargeur spécifié par le fabricant.** L'utilisation d'un chargeur conçu pour un type donné de bloc-piles comporte un risque d'incendie lorsqu'il est utilisé avec un autre type de bloc-piles.
2. **N'utilisez un outil électrique qu'avec le bloc-piles conçu spécifiquement pour cet outil.** Il y a risque de blessure ou d'incendie si un autre bloc-piles est utilisé.
3. **Lorsque vous n'utilisez pas le bloc-piles, rangez-le à l'écart des objets métalliques tels que trombones, pièces de monnaie, clés, clous, vis ou autres petits objets métalliques qui risqueraient d'établir une connexion entre les bornes.** La mise en court-circuit des bornes de batterie peut causer des brûlures ou un incendie.
4. **Dans des conditions d'utilisation inadéquates de la batterie, il peut y avoir fuite d'électrolyte; évitez tout contact avec ce liquide. En cas de contact accidentel, rincez avec beaucoup d'eau. Si le liquide pénètre dans vos yeux, il faut aussi consulter un médecin.** L'électrolyte qui s'échappe de la batterie peut causer des irritations ou des brûlures.
5. **N'utilisez pas une batterie ou un outil s'il est endommagé ou modifié.** Les batteries endommagées ou modifiées peuvent avoir un comportement imprévisible dont peut résulter un incendie, une explosion ou un risque de blessure.
6. **N'exposez pas une batterie ou un outil au feu ou à une température excessive.** L'exposition au feu ou à une température supérieure à 130 °C peut entraîner une explosion.
7. **Suivez toutes les instructions de charge et ne chargez pas la batterie ou l'outil à l'extérieur de la plage de température spécifiée dans les**

instructions. Charger de manière inadéquate ou à des températures hors de la plage spécifiée peut endommager la batterie et augmenter le risque d'incendie.

Réparation

1. **Faites réparer votre outil électrique par un réparateur qualifié qui utilise des pièces de rechange identiques aux pièces d'origine.** Le maintien de la sûreté de l'outil électrique sera ainsi assuré.
2. **N'essayez jamais de réparer les batteries endommagées.** La réparation des batteries ne doit être effectuée que par le fabricant ou par un fournisseur de service après-vente agréé.
3. **Suivez les instructions de lubrification et de remplacement des accessoires.**
4. **Ne modifiez pas ou n'essayez pas de réparer l'appareil ou la batterie autrement que tel qu'indiqué dans les instructions d'utilisation et d'entretien.**

Consignes de sécurité pour ponceuse

1. **Portez toujours des lunettes de sécurité ou des lunettes à coques. Les lunettes ordinaires et les lunettes de soleil ne sont PAS des lunettes de sécurité.**
2. **Tenez l'outil fermement.**
3. **N'abandonnez pas l'outil alors qu'il tourne. Ne faites fonctionner l'outil qu'une fois que vous l'avez bien en main.**
4. **Cet outil n'ayant pas été imperméabilisé, la surface de la pièce à travailler doit être exempte d'eau lors de son utilisation.**
5. **Aérez votre aire de travail de manière adéquate lorsque vous effectuez des travaux de ponçage.**
6. **Certains matériaux contiennent des produits chimiques qui peuvent être toxiques. Prenez les précautions nécessaires pour éviter l'inhalation de ces poussières ou leur contact avec la peau. Conformez-vous aux consignes de sécurité du fournisseur du matériau.**
7. **L'utilisation de cet outil pour poncer certains produits, les surfaces peintes et le bois peut exposer l'utilisateur à des poussières qui contiennent des substances dangereuses. Utilisez une protection des voies respiratoires appropriée.**
8. **Avant l'utilisation, assurez-vous que le plateau n'est ni fissuré ni cassé. Il y a risque de blessure s'il est fissuré ou cassé.**
9. **Regardez où vous posez les pieds et assurez-vous de conserver un bon équilibre pendant l'utilisation de l'outil. Assurez-vous qu'il n'y a personne en bas lorsque vous travaillez dans des endroits élevés. Échapper les composants de votre outil/machine d'une certaine hauteur peut causer des blessures graves.**
10. **N'utilisez pas les accessoires qui ne sont pas recommandés par le fabricant.** La sécurité des accessoires qui ne sont pas recommandés par le fabricant n'est pas assurée, même s'il est possible

de les fixer.

CONSERVEZ CE MODE D'EMPLOI.

▲ MISE EN GARDE : NE VOUS LASSEZ PAS tromper (au fil d'une utilisation répétée) par un sentiment d'aisance ou de familiarité avec le produit en négligeant les consignes de sécurité qui accompagnent le produit. L'UTILISATION INCORRECTE ou l'ignorance des consignes de sécurité du présent manuel d'instructions comporte un risque de blessure grave.

Mise en garde de sécurité relative à l'adaptateur de batterie

- Lorsque le cordon devient chaud, cessez d'utiliser le produit et éteignez l'outil/machine. Laissez-les refroidir avant de redémarrer.**
- Lorsque vous transportez votre outil/machine ou le laissez sans surveillance, retirez l'adaptateur de l'outil/machine ou détachez le porte-batterie de votre corps, etc.**
 - Le cordon peut s'accrocher dans les gens ou les obstacles à proximité et causer des blessures.
 - Vous pourriez tirer l'outil/machine connecté à votre corps par inadvertance, et cela pourrait vous faire trébucher ou l'outil/machine pourrait tomber, ce qui entraînera des blessures.
- Lorsque vous utilisez le produit dans des endroits surélevés, utilisez toujours la courroie de sécurité.** Soyez conscient qu'une chute accidentelle de l'outil/machine peut affecter votre équilibre et il existe un risque de chute depuis l'endroit en hauteur.
- Ne rangez et n'utilisez pas ce produit alors que le cordon est tordu.** Un cordon endommagé ou enchevêtré peut augmenter le risque de décharge électrique ou d'incendie dû à un court-circuit dans le câblage.
- Inspectez le cordon et les composants de produit pour déceler toute anomalie avant l'utilisation.** Si des anomalies sont détectées, cessez d'utiliser le produit immédiatement et demandez une réparation au centre de service après-vente d'usine ou centre de service après-vente agréé Makita.

Symboles

Les symboles utilisés pour l'outil sont indiqués ci-dessous.

V	volts
— — —	courant continu
n _o	vitesse à vide
... /min	nombre d'oscillations par minute
r /min	

Avis de la FCC

Uniquement pour les États-Unis

Cet appareil est conforme à la Section 15 des Règlements de la FCC. L'utilisation est sujette aux deux conditions suivantes : (1) cet appareil ne peut pas causer de brouillage nuisible, et (2) cet appareil doit accepter tout brouillage subi, y compris le brouillage pouvant causer un fonctionnement indésirable.

Mise en garde de la FCC

Les changements et modifications non explicitement approuvés par la partie responsable de la conformité peuvent annuler le droit de l'utilisateur à utiliser l'équipement.

NOTE : Cet équipement a fait l'objet d'essais et a été jugé conforme aux limites pour appareil numérique de classe B, en conformité à la Section 15 des Règlements de la FCC. Ces limites sont conçues pour assurer une protection raisonnable contre le brouillage préjudiciable dans une installation résidentielle. Cet équipement génère, utilise et peut rayonner de l'énergie de fréquence radio et, s'il n'est pas installé et utilisé conformément aux instructions, peut causer du brouillage préjudiciable sur les communications radio. Rien ne garantit toutefois qu'il n'y aura pas de brouillage dans une installation particulière. Si cet équipement cause du brouillage préjudiciable sur la réception de la radio ou du téléviseur, ce qui peut être vérifié en éteignant et rallumant l'équipement, l'utilisateur est invité à essayer d'annuler le brouillage par l'une ou plusieurs des mesures suivantes :

- Réorienter ou déplacer l'antenne de réception.
- Augmenter la distance qui sépare l'équipement du récepteur.
- Brancher l'équipement sur la prise d'un circuit différent de celui sur lequel le récepteur est branché.
- Demander l'aide du détaillant ou d'un technicien radio/TV expérimenté.

Makita U.S.A. Inc.
14930 Northam Street, La Mirada, CA 90638-5753, USA
+1-(714) 522-8088

Consignes de sécurité importantes pour la batterie

- Avant d'utiliser la batterie, lisez toutes les instructions et les mises en garde apposées sur (1) le chargeur de batterie, (2) la batterie et (3) le produit utilisant la batterie.**
- Ne démontez pas et ne modifiez pas la batterie.** Cela peut entraîner un incendie, une chaleur excessive ou une explosion.
- Cessez immédiatement l'utilisation si le temps de fonctionnement devient excessivement court. Il y a un risque de surchauffe, de brûlures, voire d'explosion.**
- Si l'électrolyte pénètre dans vos yeux, rincez-les à l'eau claire et consultez immédiatement un médecin. Il y a un risque de perte de la vue.**

5. **Ne court-circuitez pas la batterie :**
 - (1) **Ne touchez les bornes avec aucun matériau conducteur.**
 - (2) **Évitez de ranger la batterie dans un conteneur avec d'autres objets métalliques tels que clous, pièces de monnaie, etc.**
 - (3) **Évitez d'exposer la batterie à l'eau ou à la pluie.**

Un court-circuit de la batterie pourrait provoquer un fort courant, une surchauffe, parfois des brûlures et même une panne.

6. **Ne rangez pas et n'utilisez pas l'outil ou la batterie dans des emplacements où la température peut atteindre ou dépasser 50 °C (122 °F).**
7. **Ne jetez pas la batterie au feu même si elle est sérieusement endommagée ou complètement épuisée. La batterie peut exploser au contact du feu.**
8. **Évitez de clouer, de couper, d'écraser, de lancer ou d'échapper la batterie, ou de heurter un objet dur contre la batterie.** Cela peut entraîner un incendie, une chaleur excessive ou une explosion.
9. **N'utilisez pas une batterie si elle est endommagée.**
10. **Les batteries lithium-ion fournies sont soumises aux exigences de la législation sur les marchandises dangereuses.**
Des exigences particulières sur l'emballage et l'étiquetage doivent être respectées lors du transport commercial par des tiers, des transitaires, etc. Pour préparer la marchandise à expédier, consultez un expert en matériaux dangereux si nécessaire. Respectez aussi les éventuelles réglementations nationales plus détaillées.
Recouvrez de ruban isolant les contacts exposés, et emballez la batterie de sorte qu'elle ne puisse pas se déplacer à l'intérieur de l'emballage.
11. **Lors de l'élimination de la batterie, retirez-la de l'outil et éliminez-la dans un endroit sûr. Respectez la réglementation locale concernant l'élimination de la batterie.**
12. **N'utilisez les batteries qu'avec les produits spécifiés par Makita.** Installer les batteries sur des produits non conformes peut entraîner un incendie, une chaleur excessive, une explosion ou une fuite d'électrolyte.
13. **Si l'outil reste inutilisé pour une période prolongée, la batterie doit en être retirée.**
14. **Pendant et après l'utilisation, la batterie peut accumuler de la chaleur, ce qui peut causer des brûlures ou des brûlures à basse température. Faites attention lors de la manipulation des batteries chaudes.**
15. **Ne touchez pas la borne de l'outil immédiatement après l'utilisation, car elle peut être assez chaude pour causer des brûlures.**
16. **Ne laissez pas les copeaux, les poussières ou la terre se coincer dans les bornes, les trous et les rainures de la batterie.** Cela pourrait causer un réchauffement, un incendie, un éclatement et une défaillance de l'outil ou de la batterie et entraîner des brûlures ou des blessures corporelles.

17. **À moins que l'outil ne soit compatible avec l'utilisation à proximité des lignes électriques haute tension, n'utilisez pas la batterie à proximité d'une ligne électrique haute tension.** Cela peut entraîner un dysfonctionnement ou une panne de l'outil ou de la batterie.
18. **Gardez la batterie à l'écart des enfants.**

CONSERVEZ CES INSTRUCTIONS.

⚠ATTENTION : Utilisez exclusivement les batteries fabriquées par Makita. Les batteries autres que celles fabriquées par Makita ou les batteries modifiées peuvent exploser et causer un incendie, une blessure ou des dommages. Cela annule aussi la garantie Makita de l'outil et du chargeur Makita.

Conseils pour maintenir la durée de service maximale de la batterie

1. **Rechargez la batterie avant qu'elle ne soit complètement déchargée. Arrêtez toujours l'outil et rechargez la batterie quand vous remarquez que la puissance de l'outil diminue.**
2. **Ne rechargez jamais une batterie complètement chargée. La surcharge réduit la durée de service de la batterie.**
3. **Chargez la batterie à une température ambiante comprise entre 10 °C et 40 °C (50 °F et 104 °F). Si la batterie est chaude, laissez-la refroidir avant de la charger.**
4. **Lorsque vous n'utilisez pas la batterie, retirez-la de l'outil ou du chargeur.**
5. **Chargez la batterie si elle est restée inutilisée pendant une période prolongée (plus de six mois).**

Importantes consignes de sécurité pour l'unité sans fil

1. **Évitez de démonter ou de modifier l'unité sans fil.**
2. **Gardez l'unité sans fil hors de la portée des jeunes enfants. En cas d'absorption accidentelle, consultez immédiatement un médecin.**
3. **N'utilisez l'unité sans fil qu'avec les outils Makita.**
4. **N'exposez pas l'unité sans fil à la pluie ou à des surfaces mouillées.**
5. **N'utilisez pas l'unité sans fil dans les emplacements où la température dépasse 50 °C (122 °F).**
6. **N'utilisez pas l'unité sans fil dans les emplacements où des instruments médicaux, tels que stimulateurs cardiaques, se trouvent à proximité.**
7. **N'utilisez pas l'unité sans fil dans les emplacements où des dispositifs automatiques se trouvent à proximité. L'utilisation peut provoquer des dysfonctionnements ou des erreurs sur les dispositifs automatiques.**

8. N'utilisez pas l'unité sans fil dans un emplacement à température élevée ou un emplacement où de l'électricité statique ou du bruit électrique peuvent être générés.
9. L'unité sans fil peut générer des champs électromagnétiques (CEM), mais ils sont sans danger pour l'utilisateur.
10. L'unité sans fil est un instrument de précision. Évitez d'échapper ou de heurter l'unité sans fil.
11. Évitez de toucher la borne de l'unité sans fil à mains nues ou avec des objets métalliques.
12. Retirez toujours la batterie de l'outil avant d'y installer l'unité sans fil.
13. Lorsque vous ouvrez le couvercle de la fente, évitez de le faire dans un emplacement où la poussière et l'eau peuvent pénétrer dans la fente. Gardez toujours l'entrée de la fente propre.
14. Insérez toujours l'unité sans fil dans le bon sens.
15. N'appuyez pas trop fort sur le bouton d'activation sans fil de l'unité sans fil, et/ou n'appuyez pas sur le bouton avec un objet tranchant.
16. Pendant l'utilisation, fermez toujours le couvercle de la fente.
17. Ne retirez pas l'unité sans fil de la fente pendant que l'outil est alimenté en courant. Cela peut causer un dysfonctionnement de l'unité sans fil.
18. Ne retirez pas l'autocollant sur l'unité sans fil.
19. Ne mettez aucun autocollant sur l'unité sans fil.
20. Ne laissez pas l'unité sans fil dans un emplacement où de l'électricité statique ou du bruit électrique peuvent être générés.
21. Ne laissez pas l'unité sans fil dans un emplacement susceptible de chaleur intense, comme dans une voiture exposée au soleil.
22. Ne laissez pas l'unité sans fil dans un emplacement poussiéreux ou poudreux, ni dans un emplacement où des gaz corrosifs peuvent être générés.
23. Les variations soudaines de température peuvent humecter l'unité sans fil. N'utilisez l'unité sans fil qu'une fois qu'elle est bien sèche.
24. Pour nettoyer l'unité sans fil, essuyez-la doucement avec un linge doux et sec. N'utilisez pas de benzine, diluant, graisse conductrice ou produit similaire.
25. Lorsque vous rangez l'unité sans fil, gardez-la dans le boîtier fourni ou dans un contenant antistatique.
26. N'insérez aucun autre dispositif que l'unité sans fil Makita dans la fente de l'outil.
27. N'utilisez pas l'outil si le couvercle de la fente est endommagé. La pénétration d'eau, de poussières ou de saletés dans la fente peut entraîner un dysfonctionnement.
28. Évitez de tirer et/ou tordre le couvercle de la fente plus que nécessaire. Remettez le couvercle en place s'il se détache de l'outil.
29. Remplacez le couvercle de la fente si vous l'égarez ou s'il est endommagé.

CONSERVEZ CE MODE D'EMPLOI.

DESCRIPTION DU FONCTIONNEMENT

⚠ ATTENTION : Assurez-vous toujours que l'outil est éteint et que sa batterie est retirée avant de l'ajuster ou de vérifier son fonctionnement.

Installation ou retrait de la batterie

⚠ ATTENTION : Éteignez toujours l'outil avant d'installer ou de retirer la batterie.

⚠ ATTENTION : Tenez fermement l'outil et la batterie lors de l'installation ou du retrait de cette dernière. Si l'outil et la batterie ne sont pas tenus fermement, ils risquent de vous glisser des mains et de subir des dommages, ou encore de vous blesser.

Pour installer la batterie, alignez sa languette sur la rainure pratiquée dans le boîtier et glissez la batterie en place. Insérez-la à fond jusqu'à ce que vous entendiez un léger déclic. Si vous pouvez voir l'indicateur rouge tel qu'illustré sur la figure, cela signifie qu'elle n'est pas complètement verrouillée.

Pour retirer la batterie, faites-la glisser hors de l'outil tout en glissant le bouton qui se trouve à l'avant.

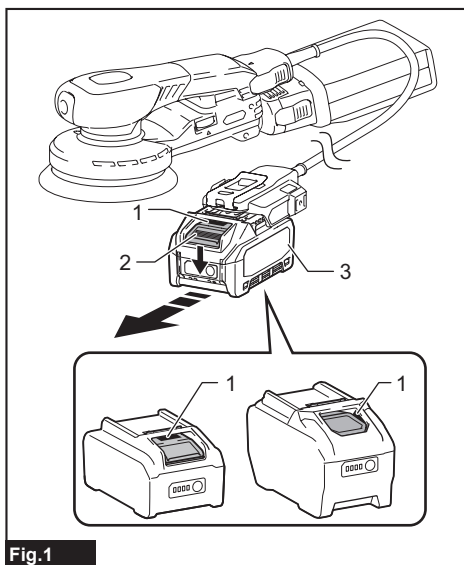


Fig.1

► 1. Indicateur rouge 2. Bouton 3. Batterie

⚠ ATTENTION : Installez toujours la batterie à fond jusqu'à ce que vous ne puissiez plus voir l'indicateur rouge. Autrement elle risque de tomber accidentellement de l'outil et d'entraîner des blessures.

⚠ ATTENTION : Ne forcez pas sur la batterie pour l'installer. Si la batterie ne glisse pas facilement, c'est qu'elle n'est pas insérée correctement.

Affichage de la charge restante de la batterie

Appuyez sur le bouton de vérification de la batterie pour afficher la charge restante de la batterie. Les témoins indicateurs s'allument pendant quelques secondes.

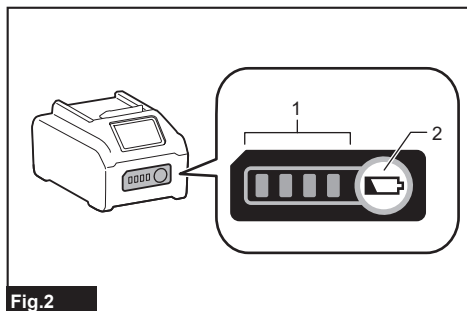


Fig.2

► 1. Témoins indicateurs 2. Bouton de vérification

Témoins indicateurs			Charge restante
Allumé	Éteint	Clignotant	
■ ■ ■ ■ ■	□ □ □ □ □	□ □ □ □ □	75 % à 100 %
■ ■ ■ ■ □	□ □ □ □ □	□ □ □ □ □	50 % à 75 %
■ ■ ■ □ □	□ □ □ □ □	□ □ □ □ □	25 % à 50 %
■ ■ □ □ □	□ □ □ □ □	□ □ □ □ □	0 % à 25 %
■ □ □ □ □	□ □ □ □ □	□ □ □ □ □	Chargez la batterie.
■ ■ □ □ □	□ □ □ □ □	□ □ □ □ □	La batterie a peut-être mal fonctionné.
□ □ ■ ■ ■	□ □ □ □ □	□ □ □ □ □	

NOTE : Suivant les conditions d'utilisation et la température ambiante, il se peut que l'indication soit légèrement différente de la charge réelle.

NOTE : La première lampe témoin (à l'extrémité gauche) clignote lorsque le dispositif de protection de la batterie s'active.

Interrupteur

⚠ ATTENTION : Évitez d'allumer l'outil lorsqu'il se trouve sur une pièce ou sur votre établi. Cela pourrait causer une blessure ou des dommages.

Mise sous tension et hors tension de l'outil

Appuyez sur le bouton d'alimentation pour lancer l'outil. Appuyez sur le bouton d'alimentation de nouveau pour arrêter l'outil.

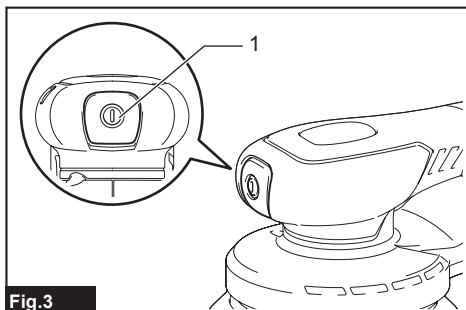


Fig.3

► 1. Bouton d'alimentation

Cadran de réglage de la vitesse

AVIS : Si l'outil est utilisé de manière continue à vitesse réduite sur une période prolongée, le moteur sera surchargé et cela entraînera un mauvais fonctionnement de l'outil.

AVIS : Le cadran de réglage de la vitesse ne peut pas dépasser le 5 et le 1. Ne le forcez pas à dépasser le 5 ou le 1, sinon la fonction de réglage de la vitesse risque de ne plus fonctionner.

La vitesse de rotation peut être modifiée en tournant le cadran de réglage de la vitesse. Une vitesse plus élevée est obtenue lorsque le cadran est tourné en direction du numéro 5. Une vitesse plus basse est obtenue lorsqu'il est tourné dans la direction du numéro 1. Reportez-vous au tableau pour le rapport entre le chiffre de réglage sur le cadran et la vitesse de rotation approximative.

Numéro	Nombre d'oscillations par minute
1	6 000
2	6 500
3	8 000
4	9 500
5	10 000

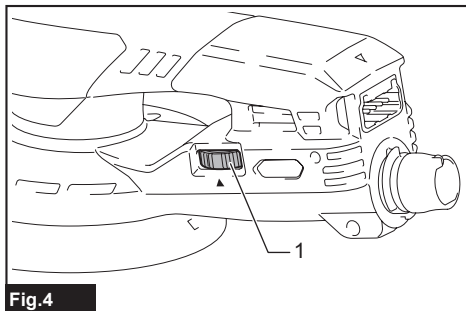


Fig.4

► 1. Cadran de réglage de la vitesse

Fonction électronique

L'outil est doté de la/des fonction(s) électronique(s) suivante(s) qui facilite(nt) son utilisation.

Fonction de démarrage en douceur

La fonction de démarrage en douceur atténue le choc de démarrage.

Commande de vitesse constante

Commande électronique de la vitesse afin d'obtenir une vitesse constante.

Cette fonction vous permet d'effectuer la finition détaillée, car la vitesse de l'outil demeure constante, même sous une charge.

Frein électrique

Le frein électrique arrête l'outil rapidement pour des raisons de sécurité et la commodité de fonctionnement.

Fonction de prévention du redémarrage accidentel

Lorsque n'importe quelle source (p. ex., la batterie, etc.) est connectée à l'outil pendant que l'on appuie sur le bouton d'alimentation, l'outil ne démarre pas. Pour démarrer l'outil, appuyez sur le bouton d'alimentation de nouveau.

Dispositif de protection de l'outil et de la batterie

L'outil est équipé d'un système de protection d'outil/batterie. Ce système coupe automatiquement l'alimentation du moteur pour augmenter la durée de vie de l'outil et de la batterie. L'outil s'arrête automatiquement pendant l'utilisation lorsque l'outil ou la batterie est dans l'une des situations suivantes :

Protection contre la surcharge

Lorsque l'outil ou la batterie est utilisé d'une manière entraînant une consommation anormale de courant, l'outil s'arrête automatiquement sans aucune indication. Le cas échéant, éteignez l'outil et cessez l'application qui a causé sa surcharge. Rallumez ensuite l'outil pour redémarrer.

Protection contre la surchauffe

Lorsque l'outil ou la batterie est surchauffé, l'outil s'arrête automatiquement. Le cas échéant, laissez refroidir l'outil et la batterie avant de rallumer l'outil.

Protection contre la décharge excessive

Lorsque la charge de la batterie est insuffisante, l'outil s'arrête automatiquement. Dans ce cas, retirez la batterie de l'outil et chargez la batterie.

Protections contre d'autres causes

Le dispositif de protection est aussi conçu pour d'autres causes qui pourraient endommager l'outil et permet d'arrêter automatiquement l'outil. Prenez toutes les mesures suivantes pour éliminer les causes lorsque le fonctionnement de l'outil a été interrompu temporairement ou arrêté.

1. Assurez-vous que tous les interrupteurs sont en position d'arrêt, puis réactivez l'outil pour le redémarrer.
2. Chargez la/les batterie(s) ou remplacez-la/les par une/des batteries rechargée(s).
3. Laissez l'outil et la/les batteries se refroidir.

Si la situation ne s'améliore pas en restaurant le dispositif de protection, contactez votre centre de service Makita local.

ASSEMBLAGE

ATTENTION : Assurez-vous toujours que l'outil est éteint et que sa batterie est retirée avant d'effectuer tout travail dessus.

Pose ou dépose de l'économiseur de plateau

L'économiseur de plateau prévient l'usure de la fermeture autoagrippante sur le plateau.

1. Pour installer l'économiseur de plateau, enlevez d'abord toutes les saletés et corps étrangers sur le plateau.
2. Fixez l'économiseur de plateau sur le plateau en alignant les trous de vis et les trous d'aspiration de poussière sur chacun des économiseurs de plateau et plateaux.

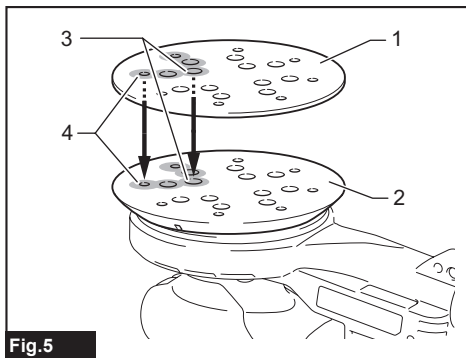


Fig. 5

- 1. Économiseur de plateau 2. Plateau 3. Trous de vis 4. Trous d'aspiration de poussière

Lorsque la fermeture autoagrippante sur l'économiseur de plateau s'use, retirez l'économiseur de plateau et installez-en un neuf.

Pour retirer l'économiseur de plateau, pelez l'économiseur de plateau depuis la bordure.

Pose ou retrait du papier abrasif

⚠ ATTENTION : Assurez-vous que le papier abrasif est installé solidement avant de l'utiliser. Sinon, le papier abrasif peut être retiré aisément et causer un glissement entraînant une opération de ponçage inégale.

⚠ ATTENTION : Assurez-vous que le plateau est installé correctement et solidement. S'il est mal serré, il se déséquilibrera et causera une vibration excessive entraînant une perte de maîtrise de l'outil.

⚠ ATTENTION : Assurez-vous que le plateau, économiseur de plateau et papier abrasif sont alignés et solidement fixés.

⚠ ATTENTION : Utilisez uniquement des papiers abrasifs. N'utilisez jamais de papiers abrasifs sensibles à la pression.

NOTE : Le papier abrasif peut aussi être fixé sur le plateau directement.

1. Enlevez d'abord toutes les saletés et corps étrangers sur l'économiseur de plateau.

2. Fixez une feuille abrasive sur l'économiseur de plateau.

— Pour une feuille abrasive de type papier avec des trous d'aspiration de poussière, alignez les trous d'aspiration de poussière dans le papier avec ceux dans l'économiseur de plateau.

— Pour une feuille abrasive de type bande, alignez la forme extérieure avec l'économiseur de plateau.

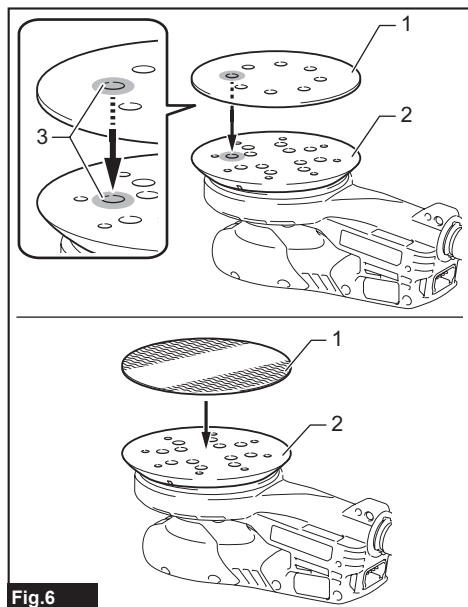


Fig.6

- 1. Feuille abrasive 2. Économiseur de plateau
3. Trous d'aspiration de la poussière

Pour retirer la feuille abrasive, pelez la feuille abrasive du bord tout en tenant l'économiseur de plateau pour les empêcher d'être pelés ensemble.

Installation et retrait du sac à poussières

Fixez l'ensemble de sac à poussières sur la buse à poussières au niveau de l'extrémité arrière du boîtier du moteur. Mettez l'entrée de poussière entièrement sur la buse à poussières jusqu'à ce qu'elle se verrouille en place.

Pour retirer l'ensemble de sac à poussières, tenez et tirez le capuchon à poussières.

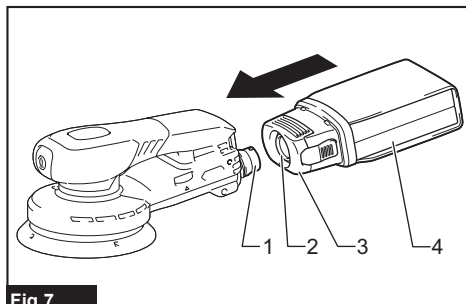


Fig.7

- 1. Buse à poussières 2. Prise d'entrée à poussières
3. Capuchon à poussières 4. Sac à poussières

AVIS : Ne transportez pas l'outil par le sac à poussières. Autrement, l'outil pourrait tomber et être endommagé.

Mise au rebut des poussières

Pour assurer une collecte optimale de la poussière, videz le sac à poussières lorsqu'il est rempli à environ la moitié de sa capacité.

- Retirez le sac à poussières du capuchon à poussières tout en appuyant sur les deux boutons.
- Frappez légèrement sur le bas du sac à poussières pour le vider.

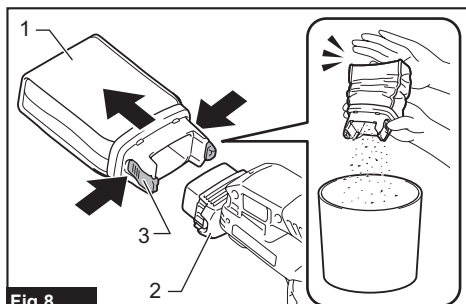


Fig.8

- 1. Sac à poussières 2. Capuchon à poussières
3. Bouton

Raccordement avec un aspirateur

Pour effectuer un travail de ponçage propre, raccordez un aspirateur Makita à l'outil.

AVIS : Lorsque vous utilisez l'outil avec l'aspirateur dorsal, utilisez toujours le manchon avant (fourni avec l'outil). Si vous le faites, cela réduira l'électricité statique.

1. Retirez l'autre manchon du tuyau s'il est fixé.
2. Vissez le manchon avant fourni avec l'outil sur le tuyau. Assurez-vous que le manchon avant est fermement vissé dans le tuyau.

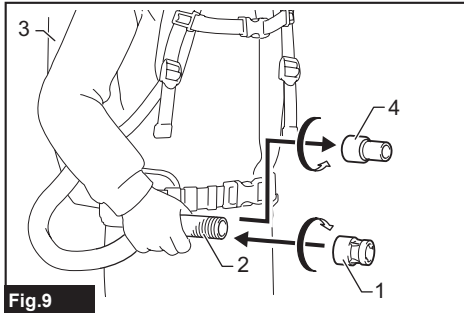


Fig.9

- 1. Manchon avant (fourni avec l'outil) 2. Tuyau
3. Aspirateur 4. Autre manchon

3. Fixez le manchon avant sur la buse à poussières de l'outil.

Mettez le manchon avant complètement sur la buse à poussières, puis tournez le manchon avant fermement dans le sens de la flèche, comme illustré dans la figure.

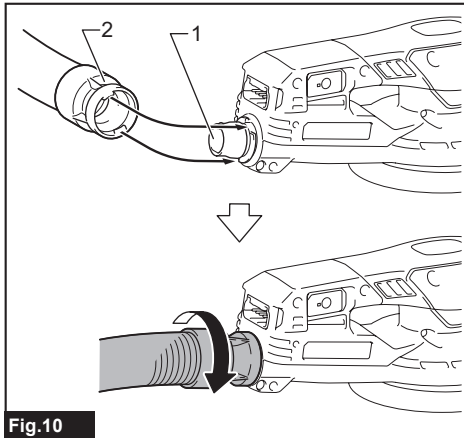


Fig.10

- 1. Buse à poussières 2. Manchon avant (fourni avec l'outil)

Pour un aspirateur qui n'est pas de type dorsal

Vous pouvez connecter également le tuyau avec le manchon avant 22 et le manchon avant 24. Le manchon avant 22 et le manchon avant 24 sont des accessoires en option ou qui sont fournis avec l'aspirateur.

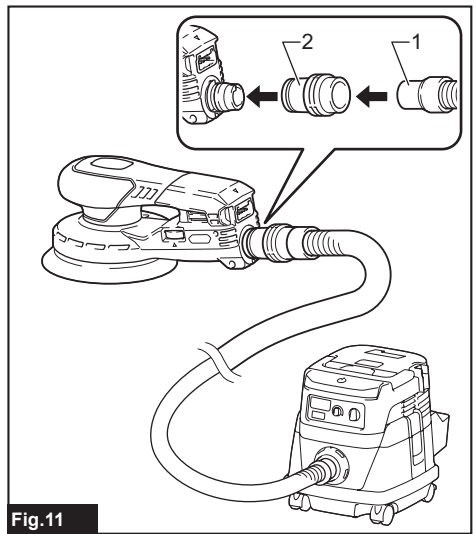


Fig.11

- 1. Manchon avant 22 (accessoire en option ou fourni avec l'aspirateur) 2. Manchon avant 24 (accessoire en option ou fourni avec l'aspirateur)

Pose ou retrait de l'adaptateur de batterie

AVIS : Assurez-vous qu'il n'y a pas d'accumulation de poussière au niveau du raccord entre l'outil et l'adaptateur de batterie. Une accumulation de poussière peut causer un dysfonctionnement.

1. Pour installer l'adaptateur de batterie, alignez la marque de flèche sur l'adaptateur de batterie avec celle de l'outil.
2. Insérez l'adaptateur de batterie à fond, jusqu'à ce qu'il se verrouille en place avec un léger bruit sec.

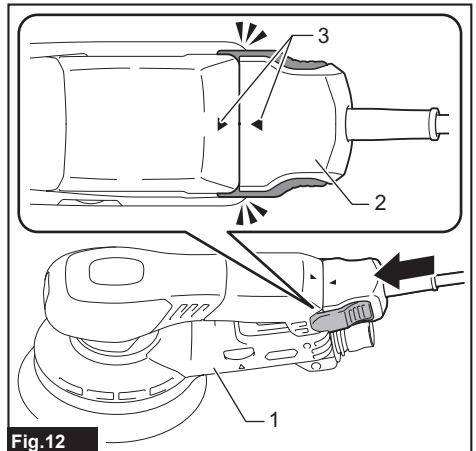


Fig.12

- 1. Outil 2. Adaptateur de batterie 3. Marque de flèche

Pour retirer l'adaptateur de batterie, faites-le glisser vers l'extérieur tout en appuyant vers le bas sur les deux boutons.

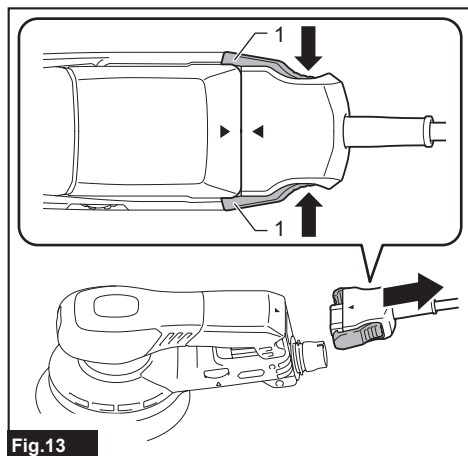


Fig.13

► 1. Bouton

Installation de l'adaptateur de batterie

ATTENTION : N'utilisez pas l'outil si le cordon de connexion est endommagé.

AVIS : Ne maltraitez pas le cordon de connexion. Ne transportez pas l'outil en tirant sur le cordon de connexion. Tenez le cordon de connexion à l'écart des sources de chaleur, de l'huile et des objets à bords tranchants. Autrement, le cordon de connexion risque d'être endommagé.

Suspendez l'adaptateur de batterie sur la ceinture de taille.

Le support de cordon aide à la manipulation du cordon. Fixez le support de cordon au besoin avec une vis à droite ou à gauche de l'adaptateur de batterie.

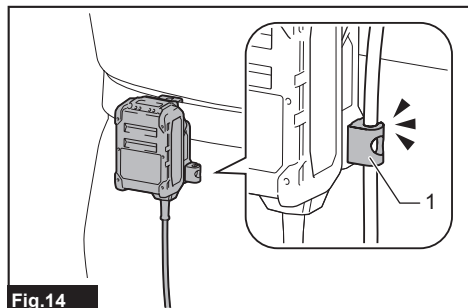


Fig.14

► 1. Support de cordon

Brassard

Le brassard est pratique pour la manipulation du cordon.

1. Mettez le brassard sur votre bras, puis ajustez la longueur du brassard.
2. Enfoncez le cordon de connexion dans l'ouverture du support.

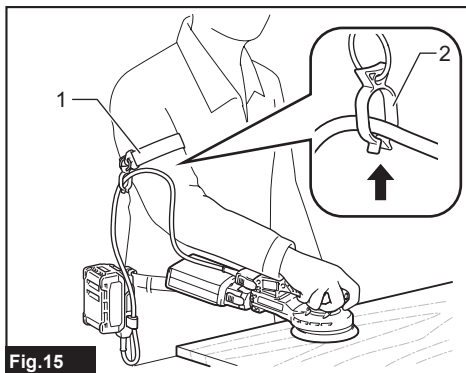


Fig.15

► 1. Brassard 2. Support avec l'ouverture

ATTENTION : Ne forcez pas l'ouverture du support. Autrement il y a risque de déformation et de dommages.

Bande de retenue du tuyau

Comprise dans l'adaptateur de batterie avec cordon de 5 m (16,4 ft) (accessoire en option)

Lors de l'utilisation de l'aspirateur connecté à l'outil, la bande de retenue du tuyau peut être utilisée pour tenir le cordon et le tuyau pour empêcher l'enchevêtrement. Tenez le cordon et le tuyau avec la bande de retenue du tuyau à des intervalles d'environ 1 m (3,3 pi), comme illustré dans la figure.

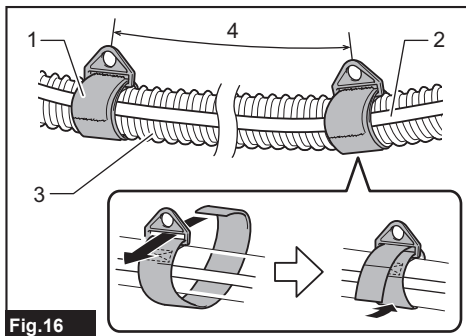


Fig.16

► 1. Bande de retenue du tuyau 2. Cordon 3. Tuyau 4. Environ 1 m (3,3 ft)

UTILISATION

Opération de ponçage

ATTENTION : Assurez-vous toujours que la pièce à travailler est solidement fixée.

ATTENTION : Portez un masque antipoussières lorsque vous travaillez avec beaucoup de poussière.

ATTENTION : Ne touchez pas au papier abrasif qui tourne. Autrement, vous risquez de vous blesser.

AVIS : Ne faites jamais tourner l'outil sans papier abrasif. Vous risqueriez d'endommager sérieusement l'économiseur de plateau ou le plateau.

AVIS : Ne forcez jamais l'outil. Une pression excessive peut affecter l'efficacité du ponçage, endommager le papier abrasif et/ou réduire la durée de vie de l'outil.

AVIS : N'utilisez pas l'outil pour réaliser un polissage. Ne fixez pas d'accessoire destiné au polissage, comme une éponge, sur l'outil. Autrement, il y a risque de dysfonctionnement.

Tenez l'outil fermement. Mettez l'outil sous tension et attendez qu'il atteigne la vitesse ajustée. Placez ensuite délicatement l'outil sur la surface de la pièce. Maintenez le plateau parallèle à la pièce et n'appliquez pas de pression en vous appuyant vers l'outil.

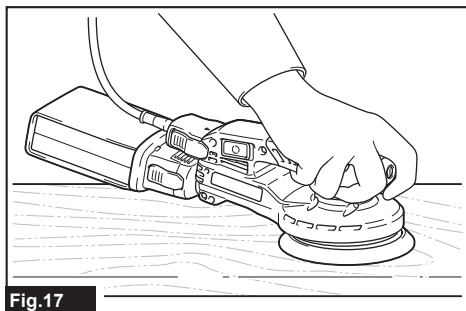


Fig.17

Utilisation avec le harnais

Accessoire en option

Le harnais permet l'opération tout en transportant l'adaptateur de batterie sur votre dos.

Il est possible de fixer le mousqueton au harnais. L'outil peut être accroché sur le mousqueton en utilisant le crochet. Pour l'installation du crochet, consultez « Installation du crochet ».

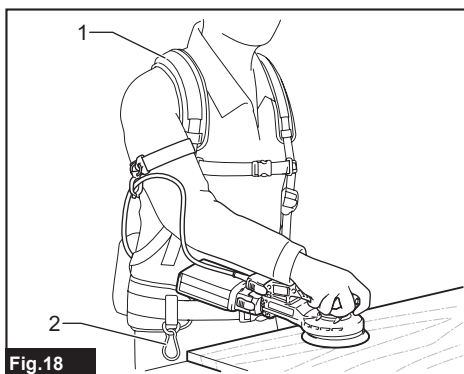


Fig.18

► 1. Harnais 2. Mousqueton

Opération avec le couvercle de protection

Accessoire en option

AVIS : Avant de sélectionner le couvercle de protection, assurez-vous que le couvercle de protection est compatible avec votre aspirateur dorsal.

Le couvercle de protection peut être fixé uniquement à des modèles en particulier d'aspirateur dorsal.

Exemples de modèles compatibles :

- VC008G / GCV05
- VC009G / GCV06

Vous trouverez ci-dessus une partie des exemples.

Pour des détails, demandez au centre de service après-vente si votre aspirateur dorsal est compatible avec le couvercle de protection ou non.

Le couvercle de protection protège l'aspirateur dorsal et l'adaptateur de batterie, et il permet l'opération tout en transportant l'aspirateur dorsal et l'adaptateur de batterie ensemble sur votre dos.

1. Retirez les vis qui fixent le harnais de l'aspirateur dorsal.

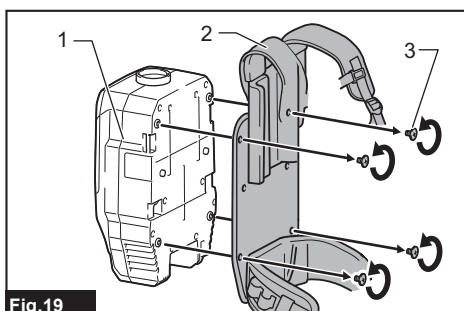


Fig.19

► 1. Aspirateur dorsal 2. Harnais de l'aspirateur dorsal
3. Vis

2. Recouvrez l'aspirateur dorsal du couvercle de protection (pour l'aspirateur dorsal).

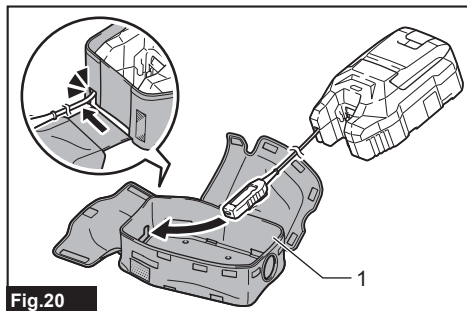


Fig.20

- 1. Couvercle de protection (pour l'aspirateur dorsal)

3. Fixez le harnais de l'aspirateur dorsal en fixant les vis.

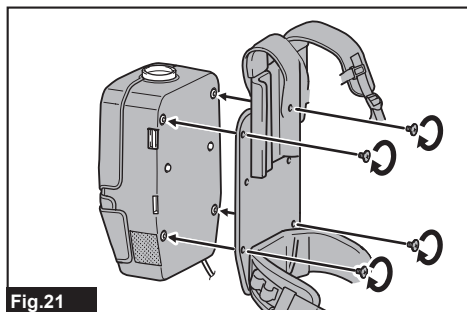


Fig.21

4. Rangez les pièces de la batterie de l'adaptateur de batterie dans le couvercle de protection (pour l'adaptateur de batterie), puis installez le couvercle de protection (pour l'adaptateur de batterie) sur le harnais, comme illustré dans la figure.

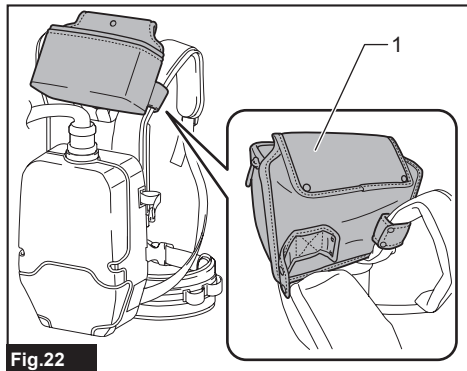


Fig.22

- 1. Couvercle de protection (pour l'adaptateur de batterie)

5. Il est possible de fixer le mousqueton au harnais. L'outil peut être accroché sur le mousqueton en utilisant le crochet. Pour l'installation du crochet, consultez « Installation du crochet ».

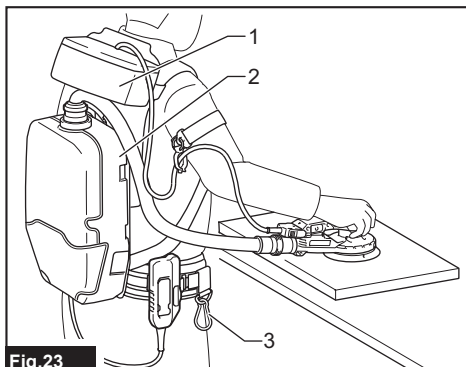


Fig.23

- 1. Couvercle de protection (pour l'adaptateur de batterie) 2. Couvercle de protection (pour l'aspirateur dorsal) 3. Mousqueton

Installation du crochet

Compris dans le harnais / couvercle de protection (accessoire en option)

⚠ MISE EN GARDE : Utilisez les pièces de suspension/montage aux fins pour lesquelles elles sont destinées uniquement, p. ex., suspendre l'outil sur une ceinture à outils entre deux tâches ou intervalles de travail.

⚠ MISE EN GARDE : Prenez soin de ne pas surcharger le crochet avec trop de force. Sinon, une charge irrégulière pourrait causer des dommages à l'outil entraînant des blessures corporelles.

⚠ ATTENTION : Lorsque vous installez le crochet, fixez-le toujours fermement avec la vis. Autrement, le crochet risque de se détacher de l'outil et de causer une blessure.

⚠ ATTENTION : Assurez-vous de suspendre solidement l'outil avant de relâcher votre prise. Un soutien insuffisant ou mal équilibré pourrait causer une chute et vous blesser.

Le crochet est fourni avec le harnais et le couvercle de protection.
L'outil peut être accroché sur le mousqueton en utilisant le crochet.

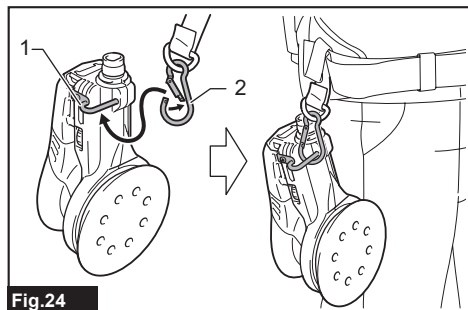


Fig.24

► 1. Crochet 2. Mousqueton

Le crochet peut être posé d'un côté ou de l'autre de l'outil. Pour installer le crochet, insérez-le dans le trou dans l'outil, puis fixez-le avec une vis. Pour le retirer, desserrez la vis puis enlevez-le.

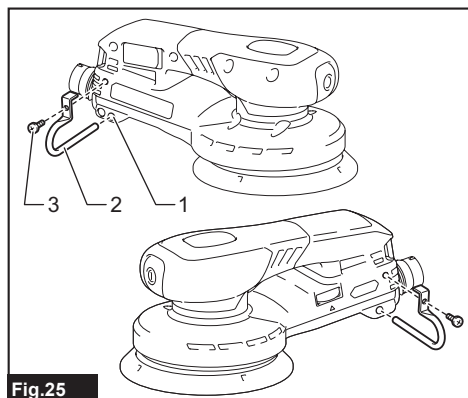


Fig.25

► 1. Trou 2. Crochet 3. Vis

FONCTION D'ACTIVATION SANS FIL

Ce que vous pouvez faire avec la fonction d'activation sans fil

La fonction d'activation sans fil permet une utilisation propre et confortable. En raccordant un aspirateur compatible à l'outil, vous pouvez activer l'aspirateur automatiquement lorsque vous utilisez l'interrupteur de l'outil.

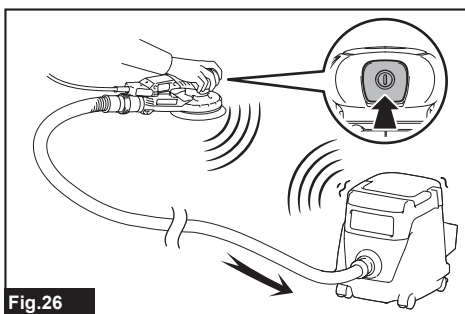


Fig.26

Pour utiliser la fonction d'activation sans fil, préparez les éléments suivants :

- Une unité sans fil (accessoire en option)
- Un aspirateur compatible avec la fonction d'activation sans fil

Le réglage de la fonction d'activation sans fil est résumé ci-dessous. Pour les procédures détaillées, reportez-vous à chacune des sections.

1. Installer l'unité sans fil
2. Enregistrement d'outil pour l'aspirateur
3. Démarrer la fonction d'activation sans fil

Installer l'unité sans fil

Accessoire en option

ATTENTION : Mettez l'outil sur une surface plane et stable lorsque vous installez l'unité sans fil.

AVIS : Avant d'installer l'unité sans fil, enlevez les poussières et saletés sur l'outil. Les poussières ou saletés peuvent causer un dysfonctionnement si elles pénètrent dans la fente de l'unité sans fil.

AVIS : Pour éviter que l'électricité statique ne cause un dysfonctionnement, ne prenez l'unité sans fil qu'après avoir touché un objet qui éliminera l'électricité statique, par exemple, une partie métallique de l'outil.

AVIS : Lorsque vous installez l'unité sans fil, assurez-vous toujours qu'elle est insérée dans le bon sens et que le couvercle est complètement fermé.

1. Ouvrez le couvercle sur l'outil, tel qu'indiqué sur la figure.

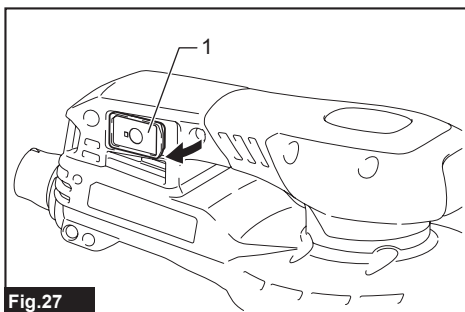


Fig.27

► 1. Couvercle

2. Insérez l'unité sans fil dans la fente, puis fermez le couvercle.

Lors de l'insertion de l'unité sans fil, alignez les parties saillantes sur les parties creuses de la fente.

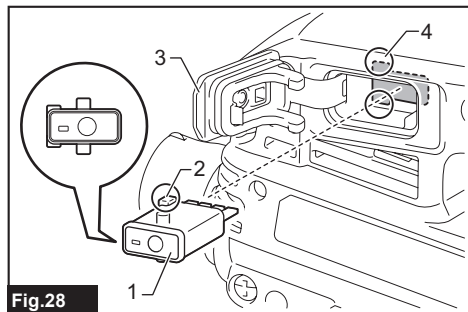


Fig.28

- 1. Unité sans fil 2. Partie saillante 3. Couvercle
4. Partie creuse

Lorsque vous retirez l'unité sans fil, ouvrez lentement le couvercle. Les crochets à l'arrière du couvercle soulèveront l'unité sans fil à mesure que vous tirerez le couvercle vers le haut.

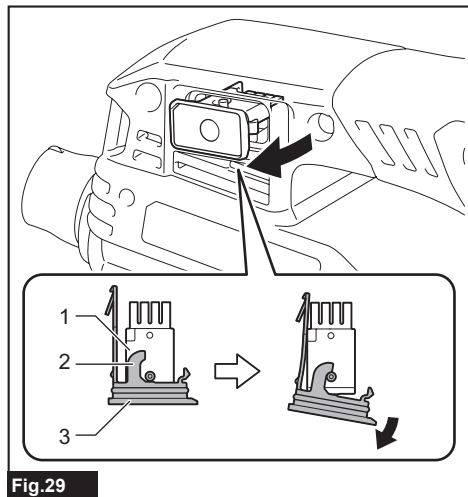


Fig.29

- 1. Unité sans fil 2. Crochet 3. Couvercle

Après avoir retiré l'unité sans fil, gardez-la dans le boîtier fourni ou dans un contenant antistatique.

AVIS : Utilisez toujours les crochets à l'arrière du couvercle lorsque vous retirez l'unité sans fil. Si les crochets ne saisissent pas l'unité sans fil, fermez complètement le couvercle et rouvrez-le lentement.

Enregistrement d'outil pour l'aspirateur

NOTE : Un aspirateur Makita compatible avec la fonction d'activation sans fil est nécessaire pour l'enregistrement d'outil.

NOTE : Terminez l'installation de l'unité sans fil sur l'outil avant de commencer l'enregistrement d'outil.

NOTE : Pendant l'enregistrement d'outil, n'appuyez pas sur la gâchette et ne mettez pas l'interrupteur d'alimentation en position de marche sur l'aspirateur.

NOTE : Reportez-vous également au manuel d'instructions de l'aspirateur.

Terminez l'enregistrement d'outil à l'avance, si vous souhaitez que l'aspirateur soit activé lors de l'utilisation de l'interrupteur de l'outil.

1. Installez les batteries dans l'aspirateur et l'outil.
2. Mettez l'interrupteur d'attente de l'aspirateur sur « AUTO ».

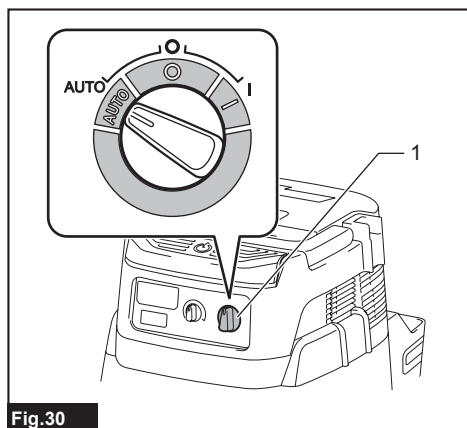


Fig.30

- 1. Interrupteur d'attente

3. Appuyez pendant 3 secondes sur le bouton d'activation sans fil sur l'aspirateur, jusqu'à ce que le témoin d'activation sans fil clignote en vert. Appuyez ensuite de la même manière sur le bouton d'activation sans fil sur l'outil.

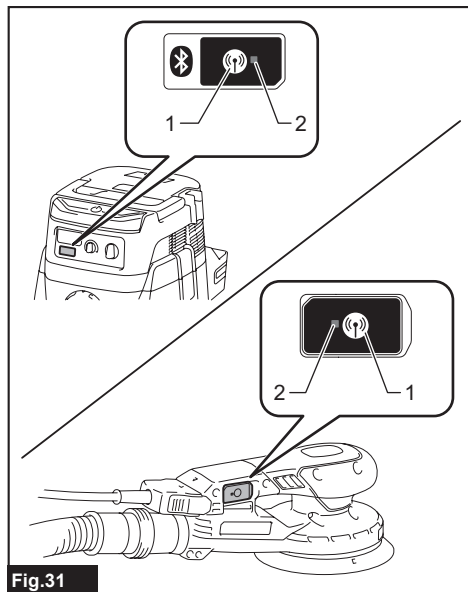


Fig.31

► 1. Bouton d'activation sans fil 2. Témoin d'activation sans fil

Si la liaison s'établit entre l'aspirateur et l'outil, les témoins d'activation sans fil s'allumeront en vert pendant 2 secondes puis se mettront à clignoter en bleu.

NOTE : Les témoins d'activation sans fil cessent de clignoter en vert au bout de 20 secondes. Appuyez sur le bouton d'activation sans fil sur l'outil pendant que le témoin d'activation sans fil clignote sur l'aspirateur. Si le témoin d'activation sans fil ne clignote pas en vert, appuyez un court instant sur le bouton d'activation sans fil et maintenez-le enfoncé encore une fois.

NOTE : Lorsque vous effectuez deux enregistrements d'outil ou plus pour un aspirateur, achevez les enregistrements d'outil un à la fois.

Démarrer la fonction d'activation sans fil

NOTE : Terminez l'enregistrement d'outil pour l'aspirateur avant d'effectuer l'activation sans fil.

NOTE : Reportez-vous également au manuel d'instructions de l'aspirateur.

Après l'enregistrement d'un outil sur l'aspirateur, ce dernier s'activera automatiquement lors de l'utilisation de l'interrupteur de l'outil.

1. Installez l'unité sans fil sur l'outil.

2. Raccordez le tuyau de l'aspirateur à l'outil.

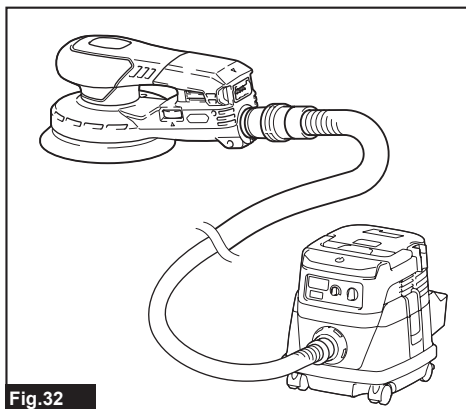


Fig.32

3. Mettez l'interrupteur d'attente de l'aspirateur sur « AUTO ».

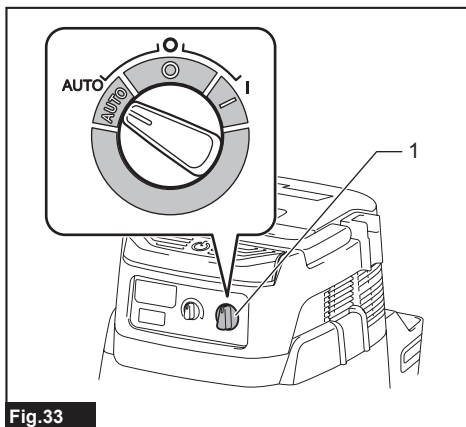


Fig.33

► 1. Interrupteur d'attente

4. Appuyez un court instant sur le bouton d'activation sans fil sur l'outil. Le témoin d'activation sans fil clignotera en bleu.

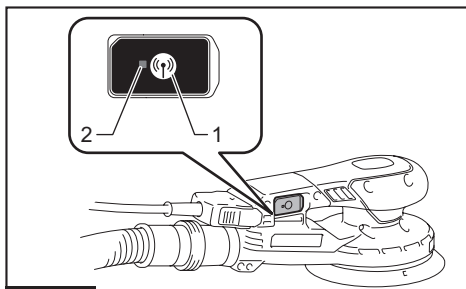


Fig.34

► 1. Bouton d'activation sans fil 2. Témoin d'activation sans fil

5. Allumez l'outil. Vérifiez si l'aspirateur fonctionne pendant que l'outil est en marche.

Pour arrêter l'activation sans fil de l'aspirateur, appuyez sur le bouton d'activation sans fil sur l'outil.

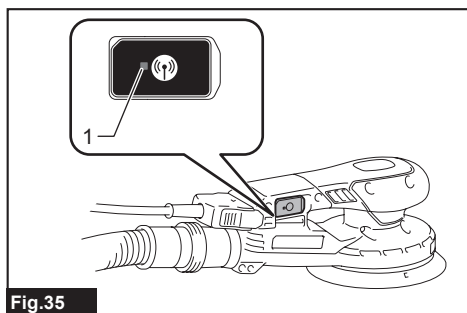
NOTE : Le témoin d'activation sans fil cessera de clignoter en bleu sur l'outil après 2 heures de non-utilisation. Dans ce cas, mettez l'interrupteur d'attente de l'aspirateur sur « AUTO », et appuyez encore une fois sur le bouton d'activation sans fil sur l'outil.

NOTE : L'aspirateur démarre ou s'arrête avec un retard. Il y a un certain délai lorsque l'aspirateur détecte une utilisation de l'interrupteur de l'outil.

NOTE : La distance de transmission de l'unité sans fil peut varier suivant le lieu et les conditions environnantes.

NOTE : Lorsque deux outils ou plus sont enregistrés sur un aspirateur, celui-ci peut démarrer même si vous ne mettez pas en marche votre outil, car un autre utilisateur pourrait utiliser la fonction d'activation sans fil.

Description de l'état du témoin d'activation sans fil



► 1. Témoin d'activation sans fil

Le témoin d'activation sans fil indique l'état de la fonction d'activation sans fil. Reportez-vous au tableau suivant pour connaître la signification de l'état du témoin.

État	Témoin d'activation sans fil			Durée	Description
	Couleur	<input type="checkbox"/> Allumé	<input type="checkbox"/> Clignotant		
Attente	Bleu	<input checked="" type="checkbox"/>		2 heures	L'activation sans fil de l'aspirateur est disponible. Le témoin s'éteindra automatiquement après 2 heures de non-utilisation.
		<input type="checkbox"/>		Lorsque l'outil est en marche.	L'activation sans fil de l'aspirateur est disponible et l'outil est en marche.
Enregistrement d'outil	Vert	<input checked="" type="checkbox"/>		20 secondes	Prêt pour l'enregistrement d'outil. Attente de l'enregistrement par l'aspirateur.
		<input type="checkbox"/>		2 secondes	L'enregistrement d'outil est terminé. Le témoin d'activation sans fil se mettra à clignoter en bleu.
Annuler l'enregistrement d'outil	Rouge	<input checked="" type="checkbox"/>		20 secondes	Prêt pour l'annulation de l'enregistrement d'outil. Attente de l'annulation par l'aspirateur.
		<input type="checkbox"/>		2 secondes	L'annulation de l'enregistrement d'outil est terminée. Le témoin d'activation sans fil se mettra à clignoter en bleu.
Autres	Rouge	<input type="checkbox"/>		3 secondes	L'alimentation est fournie à l'unité sans fil et la fonction d'activation sans fil démarre.
	Éteint	-		-	L'activation sans fil de l'aspirateur s'arrête.

Annuler l'enregistrement d'outil pour l'aspirateur

Procédez comme suit pour annuler l'enregistrement d'outil pour l'aspirateur.

1. Installez les batteries dans l'aspirateur et l'outil.
2. Mettez l'interrupteur d'attente de l'aspirateur sur « AUTO ».

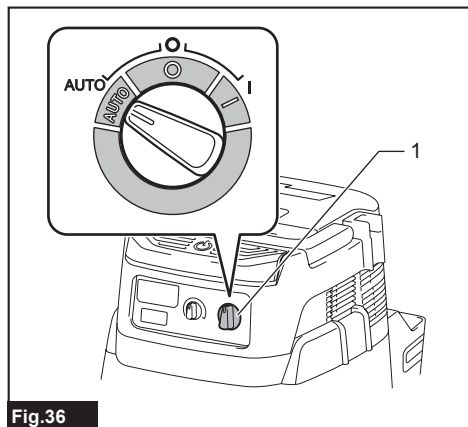


Fig.36

- 1. Interrupteur d'attente

3. Appuyez sur le bouton d'activation sans fil sur l'aspirateur pendant 6 secondes. Le témoin d'activation sans fil clignote en vert puis devient rouge. Après cela, appuyez de la même manière sur le bouton d'activation sans fil sur l'outil.

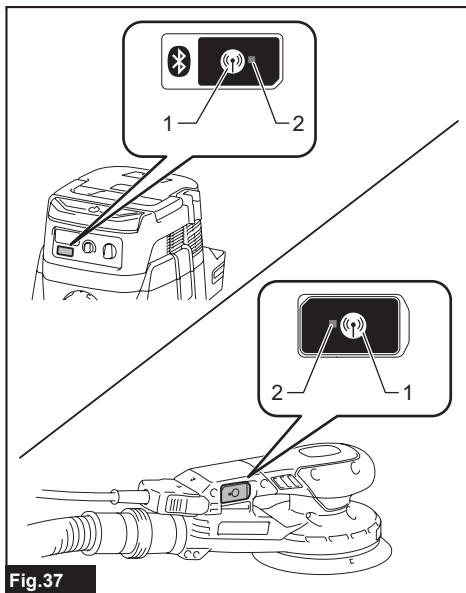


Fig.37

- 1. Bouton d'activation sans fil 2. Témoin d'activation sans fil

Si l'annulation réussit, les témoins d'activation sans fil s'allumeront en rouge pendant 2 secondes puis se mettront à clignoter en bleu.

NOTE : Les témoins d'activation sans fil cessent de clignoter en rouge au bout de 20 secondes. Appuyez sur le bouton d'activation sans fil sur l'outil pendant que le témoin d'activation sans fil clignote sur l'aspirateur. Si le témoin d'activation sans fil ne clignote pas en rouge, appuyez un court instant sur le bouton d'activation sans fil et maintenez-le enfoncé encore une fois.

Dépannage de la fonction d'activation sans fil

Avant de faire une demande de réparation, faites d'abord votre propre inspection. Si vous rencontrez un problème non indiqué dans ce manuel, n'essayez pas de démonter l'outil. Demandez plutôt à un centre de service après-vente Makita agréé de faire la réparation avec des pièces de rechange Makita.

État anormal	Cause probable (dysfonctionnement)	Solution
Le témoin d'activation sans fil ne s'allume pas ou ne clignote pas.	L'unité sans fil n'est pas installée dans l'outil. L'unité sans fil n'est pas bien installée dans l'outil.	Installez l'unité sans fil correctement.
	La borne de l'unité sans fil et/ou la fente est sale.	Essayez doucement les poussières et saletés sur la borne de l'unité sans fil, et nettoyez la fente.
	Vous n'avez pas appuyé sur le bouton d'activation sans fil sur l'outil.	Appuyez un court instant sur le bouton d'activation sans fil sur l'outil.
	L'interrupteur d'attente de l'aspirateur n'est pas sur « AUTO ».	Mettez l'interrupteur d'attente de l'aspirateur sur « AUTO ».
	Pas d'alimentation	Fournissez une source d'alimentation à l'outil et à l'aspirateur.
L'enregistrement d'outil ou l'annulation de l'enregistrement d'outil échoue.	L'unité sans fil n'est pas installée dans l'outil. L'unité sans fil n'est pas bien installée dans l'outil.	Installez l'unité sans fil correctement.
	La borne de l'unité sans fil et/ou la fente est sale.	Essayez doucement les poussières et saletés sur la borne de l'unité sans fil, et nettoyez la fente.
	L'interrupteur d'attente de l'aspirateur n'est pas sur « AUTO ».	Mettez l'interrupteur d'attente de l'aspirateur sur « AUTO ».
	Pas d'alimentation	Fournissez une source d'alimentation à l'outil et à l'aspirateur.
	Utilisation incorrecte	Appuyez un court instant sur le bouton d'activation sans fil et reprenez la procédure d'enregistrement/annulation d'outil.
	L'outil et l'aspirateur sont trop éloignés l'un de l'autre (hors de portée de transmission).	Rapprochez l'outil et l'aspirateur l'un de l'autre. La distance maximale de transmission est d'environ 10 m, mais elle peut varier selon les circonstances.
	Avant la fin de l'enregistrement ou de l'annulation d'outil; - l'interrupteur de l'outil est mis en position de marche; ou - vous activez le bouton d'alimentation de l'aspirateur.	Appuyez un court instant sur le bouton d'activation sans fil et reprenez la procédure d'enregistrement/annulation d'outil.
	Les procédures d'enregistrement d'outil n'ont pas été achevées pour l'outil ou pour l'aspirateur.	Effectuez l'enregistrement d'outil pour l'outil et pour l'aspirateur au même moment.
Perturbation radioélectrique par d'autres appareils qui génèrent des ondes radio de forte intensité.	Gardez l'outil et l'aspirateur à l'écart des appareils tels que dispositifs Wi-Fi et fours à micro-ondes.	

État anormal	Cause probable (dysfonctionnement)	Solution
L'aspirateur n'est pas activé par l'utilisation de l'interrupteur de l'outil.	L'unité sans fil n'est pas installée dans l'outil. L'unité sans fil n'est pas bien installée dans l'outil.	Installez l'unité sans fil correctement.
	La borne de l'unité sans fil et/ou la fente est sale.	Essuyez doucement les poussières et saletés sur la borne de l'unité sans fil, et nettoyez la fente.
	Vous n'avez pas appuyé sur le bouton d'activation sans fil sur l'outil.	Appuyez un court instant sur le bouton d'activation sans fil et assurez-vous que le témoin d'activation sans fil clignote en bleu.
	L'interrupteur d'attente de l'aspirateur n'est pas sur « AUTO ».	Mettez l'interrupteur d'attente de l'aspirateur sur « AUTO ».
	Plus de 10 outils sont enregistrés sur l'aspirateur.	Reprenez l'enregistrement d'outil. Si plus de 10 outils sont enregistrés sur l'aspirateur, l'outil enregistré le plus tôt sera automatiquement annulé.
	L'aspirateur a effacé tous les enregistrements d'outil.	Reprenez l'enregistrement d'outil.
	Pas d'alimentation	Fournissez une source d'alimentation à l'outil et à l'aspirateur.
	L'outil et l'aspirateur sont trop éloignés l'un de l'autre (hors de portée de transmission).	Rapprochez l'outil et l'aspirateur l'un de l'autre. La distance maximale de transmission est d'environ 10 m, mais elle peut varier selon les circonstances.
	Perturbation radioélectrique par d'autres appareils qui génèrent des ondes radio de forte intensité.	Gardez l'outil et l'aspirateur à l'écart des appareils tels que dispositifs Wi-Fi et fours à micro-ondes.
L'aspirateur fonctionne pendant que l'outil n'est pas en marche.	D'autres utilisateurs utilisent l'activation sans fil de l'aspirateur avec leurs outils.	Mettez le bouton d'activation sans fil en position d'arrêt sur les autres outils, ou annulez l'enregistrement d'outil des autres outils.

ENTRETIEN

⚠ ATTENTION : Assurez-vous toujours que l'outil est hors tension et que la batterie est retirée avant d'y effectuer tout travail d'inspection ou d'entretien.

AVIS : N'utilisez jamais d'essence, de benzène, de solvant, d'alcool ou autres produits similaires. Une décoloration, une déformation ou la formation de fissures peuvent en découler.

Pour maintenir la SÉCURITÉ et la FIABILITÉ du produit, les réparations et tout autre travail d'entretien ou de réglage doivent être effectués dans un centre de service après-vente autorisé ou une usine Makita, exclusivement avec des pièces de rechange Makita.

Après l'utilisation

Essayez l'outil en utilisant un chiffon sec ou un chiffon légèrement humidifié avec de l'eau savonneuse à intervalle régulier.

ACCESSOIRES EN OPTION

⚠ ATTENTION : Ces accessoires ou pièces complémentaires sont recommandés pour l'utilisation avec l'outil Makita spécifié dans ce manuel. L'utilisation de tout autre accessoire ou pièce complémentaire peut comporter un risque de blessure. N'utilisez les accessoires ou pièces complémentaires qu'aux fins auxquelles ils ont été conçus.

Si vous désirez obtenir plus de détails sur ces accessoires, veuillez contacter le centre de service après-vente Makita le plus près.

- Papier abrasif (fermeture autoagrippante)
- Économiseur de plateau
- Plateau
- Sac à poussières
- Harnais
- Couvercle de protection
- Adaptateur de batterie
- Unité sans fil
- Chargeur et batterie authentiques Makita

NOTE : Certains éléments de la liste peuvent être inclus avec l'outil comme accessoires standards. Ils peuvent varier suivant les pays.

GARANTIE LIMITÉE MAKITA

Pour les conditions de garantie en vigueur qui s'appliquent à ce produit, veuillez vous reporter à la feuille de garantie en annexe. Si la feuille de garantie en annexe n'est pas disponible, reportez-vous aux détails de la garantie présentés sur le site Web de votre pays, ci-dessous.

États-Unis d'Amérique: www.makitatools.com

Canada: www.makita.ca

Autres pays: www.makita.com

ESPECIFICACIONES

Modelo:	BO001CG	BO002CG	BO003CG	BO004CG
Diámetro de la almohadilla de soporte	125 mm (5")	150 mm (6")	125 mm (5")	150 mm (6")
Órbitas por minuto	6 000 r/min a 10 000 r/min			
Diámetro de órbitas	5,0 mm (3/16")		3,0 mm (1/8")	
Longitud total	234 mm (9-1/4")	247 mm (9-3/4")	233 mm (9-1/8")	246 mm (9-11/16")
Tensión nominal	36 V a 40 V c.c. máx.			
Peso neto *1	0,92 kg (2,0 lbs)	0,98 kg (2,2 lbs)	0,91 kg (2,0 lbs)	0,96 kg (2,1 lbs)

- Debido a nuestro continuo programa de investigación y desarrollo, las especificaciones aquí incluidas están sujetas a cambio sin previo aviso.
- Las especificaciones pueden variar de país a país.
- En la tabla se muestra el peso conforme al procedimiento 01/2014 de la Asociación Europea de Herramientas Eléctricas (EPTA).

*1: Peso sin ninguno de los accesorios o cartucho(s) de batería

Cartucho de batería y cargador aplicables

Cartucho de batería	BL4020* / BL4025* / BL4040* / BL4040F* / BL4050F / BL4080F * : Batería recomendada
Cargador	DC40RA / DC40RB / DC40RC / DC40WA

- Algunos de los cartuchos de batería y cargadores enumerados arriba podrían no estar disponibles dependiendo de su área de residencia.

⚠ ADVERTENCIA: Use únicamente los cartuchos de batería y los cargadores indicados arriba. El uso de cualquier otro cartucho de batería y cargador podría ocasionar una lesión y/o un incendio.

Fuente de alimentación conectada por cable recomendada

Unidad portátil de alimentación eléctrica	PDC01 / PDC1200 / PDC1500
---	---------------------------

- La o las fuentes de alimentación conectadas por cable enumeradas arriba podrían no estar disponibles dependiendo de su área de residencia.
- Antes de utilizar la fuente de alimentación conectada por cable, lea las instrucciones e indicaciones de precaución sobre ellas.

ADVERTENCIAS DE SEGURIDAD

Advertencias generales de seguridad para herramientas eléctricas

⚠ ADVERTENCIA Lea todas las advertencias de seguridad, instrucciones, ilustraciones y especificaciones suministradas con esta herramienta eléctrica. El no seguir todas las instrucciones indicadas a continuación podrá ocasionar una descarga eléctrica, incendio o lesiones graves.

Conservar todas las advertencias e instrucciones como referencia en el futuro.

En las advertencias, el término "herramienta eléctrica" se refiere a su herramienta eléctrica de funcionamiento con conexión a la red eléctrica (con cableado eléctrico) o herramienta eléctrica de funcionamiento a batería (inalámbrica).

Seguridad en el área de trabajo

1. **Mantenga el área de trabajo limpia y bien iluminada.** Las áreas oscuras o desordenadas son propensas a accidentes.
2. **No utilice las herramientas eléctricas en atmósferas explosivas, tal como en la presencia de líquidos, gases o polvo inflamables.** Las herramientas eléctricas crean chispas que pueden prender fuego al polvo o los humos.

3. **Mantenga a los niños y curiosos alejados mientras utiliza una herramienta eléctrica.** Las distracciones le pueden hacer perder el control.

Seguridad eléctrica

1. **Las clavijas de conexión de las herramientas eléctricas deberán encajar perfectamente en la toma de corriente. No modifique nunca la clavija de conexión de ninguna forma. No utilice ninguna clavija adaptadora con herramientas eléctricas que tengan conexión a tierra (puesta a tierra).** La utilización de clavijas no modificadas y que encajen perfectamente en la toma de corriente reducirá el riesgo de que se produzca una descarga eléctrica.
2. **Evite tocar con el cuerpo superficies conectadas a tierra o puestas a tierra tales como tubos, radiadores, cocinas y refrigeradores.** Si su cuerpo es puesto a tierra o conectado a tierra existirá un mayor riesgo de que sufra una descarga eléctrica.
3. **No exponga las herramientas eléctricas a la lluvia ni a condiciones húmedas.** La entrada de agua en una herramienta eléctrica aumentará el riesgo de que se produzca una descarga eléctrica.
4. **No maltrate el cable. Nunca utilice el cable para transportar, jalar o desconectar la herramienta eléctrica. Mantenga el cable alejado del calor, aceite, objetos cortantes o piezas móviles.** Los cables dañados o enredados aumentan el riesgo de sufrir una descarga eléctrica.
5. **Cuando utilice una herramienta eléctrica en exteriores, utilice un cable de extensión apropiado para uso en exteriores.** La utilización de un cable apropiado para uso en exteriores reducirá el riesgo de que se produzca una descarga eléctrica.
6. **Si no es posible evitar usar una herramienta eléctrica en condiciones húmedas, utilice un alimentador protegido con interruptor de circuito de falla a tierra (ICFT).** El uso de un ICFT reduce el riesgo de descarga eléctrica.
7. **Las herramientas eléctricas pueden producir campos electromagnéticos (CEM) que no son dañinos para el usuario.** Sin embargo, si los usuarios tienen marcapasos y otros dispositivos médicos similares, deberán consultar al fabricante de su dispositivo y/o a su médico antes de operar esta herramienta eléctrica.

Seguridad personal

1. **Manténgase alerta, preste atención a lo que está haciendo y utilice su sentido común cuando opere una herramienta eléctrica. No utilice una herramienta eléctrica cuando esté cansado o bajo la influencia de drogas, alcohol o medicamentos.** Un momento de distracción mientras opera las herramientas eléctricas puede terminar en una lesión grave.
2. **Use equipo de protección personal. Póngase siempre protección para los ojos.** El equipo protector tal como máscara contra el polvo, zapatos de seguridad antiderrapantes, casco rígido y protección para oídos utilizado en las condiciones apropiadas reducirá el riesgo de lesiones.
3. **Impida el encendido accidental. Asegúrese de que el interruptor esté en la posición de**

apagado antes de conectar a la alimentación eléctrica y/o de colocar el cartucho de batería, así como al levantar o cargar la herramienta. Cargar las herramientas eléctricas con su dedo en el interruptor o enchufarlas con el interruptor encendido hace que los accidentes sean comunes.

4. **Retire cualquier llave de ajuste o llave de apriete antes de encender la herramienta.** Una llave de ajuste o llave de apriete que haya sido dejada puesta en una parte giratoria de la herramienta eléctrica puede ocasionar alguna lesión.
5. **No utilice la herramienta donde no alcance. Mantenga los pies sobre suelo firme y el equilibrio en todo momento.** Esto permite un mejor control de la herramienta eléctrica en situaciones inesperadas.
6. **Use una vestimenta apropiada. No use ropa suelta ni alhajas. Mantenga el cabello y la ropa alejados de las piezas móviles.** Las prendas de vestir holgadas, las alhajas y el cabello largo suelto podrían engancharse en estas piezas móviles.
7. **Si dispone de dispositivos para la conexión de equipos de extracción y recolección de polvo, asegúrese de conectarlos y utilizarlos debidamente.** Hacer uso de la recolección de polvo puede reducir los riesgos relacionados con el polvo.
8. **No permita que la familiaridad adquirida debido al uso frecuente de las herramientas haga que se sienta confiado e ignore los principios de seguridad de las herramientas.** Un descuido podría ocasionar una lesión grave en una fracción de segundo.
9. **Utilice siempre gafas protectoras para proteger sus ojos de lesiones al usar herramientas eléctricas. Las gafas deben cumplir con la Norma ANSI Z87.1 en EUA.** Es responsabilidad del empleador imponer el uso de equipos protectores de seguridad apropiados a los operadores de la herramienta y demás personas cerca del área de trabajo.

Mantenimiento y uso de la herramienta eléctrica

1. **No fuerce la herramienta eléctrica. Utilice la herramienta eléctrica correcta para su aplicación.** La herramienta eléctrica adecuada hará un mejor trabajo y de forma más segura a la velocidad para la que ha sido fabricada.
2. **No utilice la herramienta eléctrica si el interruptor no la enciende y apaga.** Cualquier herramienta eléctrica que no pueda ser controlada con el interruptor es peligrosa y debe ser reemplazada.
3. **Desconecte la clavija de la fuente de alimentación y/o retire la batería de la herramienta eléctrica, en caso de ser removible, antes de realizar ajustes, cambiar accesorios o almacenar las herramientas eléctricas.** Tales medidas de seguridad preventivas reducirán el riesgo de poner en marcha la herramienta eléctrica de forma accidental.
4. **Guarde la herramienta eléctrica que no use fuera del alcance de los niños y no permita que las personas que no están familiarizadas**

- con ella o con las instrucciones la operen. Las herramientas eléctricas son peligrosas en manos de personas que no saben operarlas.
5. **Dé mantenimiento a las herramientas eléctricas y los accesorios.** Compruebe que no haya piezas móviles desalineadas o estancadas, piezas rotas y cualquier otra condición que pueda afectar al funcionamiento de la herramienta eléctrica. Si la herramienta eléctrica está dañada, haga que la reparen antes de utilizarla. Muchos de los accidentes son ocasionados por no dar un mantenimiento adecuado a las herramientas eléctricas.
 6. **Mantenga las herramientas de corte limpias y filosas.** Si recibe un mantenimiento adecuado y tiene los bordes afilados, es probable que la herramienta se atasque menos y sea más fácil controlarla.
 7. **Utilice la herramienta eléctrica, los accesorios y las brocas de acuerdo con estas instrucciones, considerando las condiciones laborales y el trabajo a realizar.** Si utiliza la herramienta eléctrica para realizar operaciones distintas de las indicadas, podrá presentarse una situación peligrosa.
 8. **Mantenga los mangos y superficies de asimiento secos, limpios y libres de aceite o grasa.** Los mangos y superficies de asimiento resbalosos no permiten una manipulación segura ni el control de la herramienta en situaciones inesperadas.
 9. **Cuando vaya a utilizar esta herramienta, evite usar guantes de trabajo de tela ya que éstos podrían atorarse.** Si los guantes de trabajo de tela llegan a atorarse en las piezas móviles, esto podría ocasionar lesiones personales.

Uso y cuidado de la herramienta a batería

1. **Recargue sólo con el cargador especificado por el fabricante.** Un cargador que es adecuado para un solo tipo de batería puede generar riesgo de incendio al ser utilizado con otra batería.
2. **Utilice las herramientas eléctricas solamente con las baterías designadas específicamente para ellas.** La utilización de cualquier otra batería puede crear un riesgo de lesiones o incendio.
3. **Cuando no se esté usando la batería, manténgala alejada de otros objetos metálicos, como sujetapapeles (clips), monedas, llaves, clavos, tornillos u otros objetos pequeños de metal los cuales pueden actuar creando una conexión entre las terminales de la batería.** Originar un cortocircuito en las terminales puede causar quemaduras o incendios.
4. **En condiciones abusivas, podrá escapar líquido de la batería; evite tocarlo. Si lo toca accidentalmente, enjuague con agua. Si hay contacto del líquido con los ojos, busque asistencia médica.** Puede que el líquido expulsado de la batería cause irritación o quemaduras.
5. **No utilice una herramienta ni una batería que estén dañadas o hayan sido modificadas.** Las baterías dañadas o modificadas podrían ocasionar una situación inesperada provocando un incendio, explosión o riesgo de lesiones.

6. **No exponga la herramienta ni la batería al fuego ni a una temperatura excesiva.** La exposición al fuego o a una temperatura superior a los 130 °C podría causar una explosión.
7. **Siga todas las instrucciones para la carga y evite cargar la herramienta o la batería fuera del rango de temperatura especificado en las instrucciones.** Una carga inadecuada o a una temperatura fuera del rango especificado podría dañar la batería e incrementar el riesgo de incendio.

Servicio

1. **Haga que una persona calificada repare la herramienta eléctrica utilizando sólo piezas de repuesto idénticas.** Esto asegura que se mantenga la seguridad de la herramienta eléctrica.
2. **Nunca dé servicio a baterías que estén dañadas.** El servicio a las baterías solamente deberá ser efectuado por el fabricante o un agente de servicio autorizado.
3. **Siga las instrucciones para la lubricación y cambio de accesorios.**
4. **No modifique ni intente reparar el aparato ni el paquete de baterías salvo como se indique en las instrucciones para el uso y cuidado.**

Advertencias de seguridad para la lijadora

1. **Use siempre gafas de seguridad o protectoras.** Los anteojos comunes o para el sol NO son gafas de seguridad.
2. **Sostenga firmemente la herramienta.**
3. **No deje la herramienta en marcha. Tenga en marcha la herramienta solamente cuando la esté sosteniendo con la mano.**
4. **Esta herramienta no es a prueba de agua, por lo que no deberá utilizar agua en la superficie de la pieza de trabajo.**
5. **Ventile el área de trabajo adecuadamente cuando realice operaciones de lijado.**
6. **Algunos materiales contienen sustancias químicas que pueden ser tóxicas. Tome precauciones para evitar la inhalación de polvo o que éste tenga contacto con la piel. Consulte la hoja de seguridad de materiales del proveedor.**
7. **El uso de esta herramienta para lijar algunos productos, pinturas y madera podrá exponer al usuario a polvo que contenga sustancias peligrosas. Utilice protección respiratoria apropiada.**
8. **Asegúrese de que no haya grietas o roturas en la almohadilla antes de usar la herramienta. Las grietas y roturas pueden causar lesiones personales.**
9. **Esté atento a pisar sobre suelo firme y mantener el equilibrio con la herramienta. Asegúrese de que no haya nadie debajo cuando esté trabajando en lugares elevados.** Dejar caer los componentes de su herramienta/máquina desde una altura podría causar lesiones graves.
10. **No utilice accesorios que no estén recomendados por el fabricante.** La seguridad de los accesorios no recomendados por el fabricante no

está garantizada, aunque se puedan acoplar.

GUARDE ESTAS INSTRUCCIONES.



⚠ADVERTENCIA: NO DEJE que la comodidad o familiaridad con el producto (a base de utilizarlo repetidamente) sustituya la estricta observancia de las normas de seguridad para dicho producto. **EI MAL USO o el no seguir las normas de seguridad establecidas en este manual de instrucciones puede ocasionar lesiones personales graves.**

Advertencias de seguridad del adaptador de batería

1. **Cuando el cable se caliente, deje de usar el producto y apague la herramienta/máquina. Deje que se enfríen antes de reiniciar.**
2. **Cuando transporte su herramienta/máquina o deje su herramienta/máquina desatendida, retire el adaptador de la herramienta/máquina o suelte el portabaterías de su cuerpo, etc.**
 - El cable puede quedar atrapado en personas u obstáculos cercanos y causar lesiones.
 - Puede tirar sin querer de la herramienta/máquina conectada a su cuerpo, y puede causar que la herramienta/máquina se vuelque o se caiga, provocando lesiones.
3. **Cuando utilice el producto en lugares altos, utilice siempre un cinturón de seguridad.** Tenga en cuenta que una caída accidental de la herramienta/máquina podría afectar su equilibrio y podría haber riesgo de caída desde una altura.
4. **No almacene ni opere este producto con el cable torcido.** Un cable dañado o enredado puede aumentar el riesgo de descarga eléctrica o incendio debido a un cortocircuito en el cableado.
5. **Inspeccione el cable y los componentes del producto en busca de anomalías antes de su uso.** Si detecta alguna anomalía, deje de usar el producto inmediatamente y solicite una reparación en los centros de servicio autorizados o de fábrica de Makita.

Símbolos

A continuación se muestran los símbolos utilizados para la herramienta.

	volts o voltios
	corriente directa o continua
n_0	velocidad sin carga
\dots / min r / min	órbitas por minuto

Avisos de la Comisión Federal de Comunicaciones (FCC por sus siglas en inglés)

Sólo para EE.UU.

Este dispositivo cumple con lo dispuesto en la Parte 15 de las Normas de la FCC. La operación está sujeta a las siguientes dos condiciones: (1) Este dispositivo no debe causar una interferencia dañina, y (2) este dispositivo debe aceptar cualquier interferencia recibida, incluida la interferencia que pueda ocasionar una operación no deseada.

Precaución de la FCC

Cualquier cambio o modificación que no haya sido expresamente aprobada por la parte responsable del cumplimiento podría anular la autoridad del usuario para operar el equipo.

NOTA: Este equipo fue sometido a pruebas y se ha comprobado que cumple con los límites para un dispositivo digital Clase B, conforme a lo dispuesto en la Parte 15 de las Normas de la FCC. Estos límites están diseñados para proporcionar una protección razonable contra una interferencia dañina en una instalación residencial. Este equipo genera, usa y puede irradiar energía de radiofrecuencia y, si no se instala y se usa de acuerdo con las instrucciones, puede causar una interferencia dañina a las radiocomunicaciones. Sin embargo, no hay ninguna garantía de que la interferencia no ocurrirá en una instalación en particular. Si este equipo llega a causar una interferencia dañina a la recepción de radio o televisión, lo cual puede determinarse encendiendo y apagando el equipo, el usuario deberá intentar corregir la interferencia tomando una o varias de las siguientes medidas:

- Reorientar o reubicar la antena receptora.
- Aumentar la separación entre el equipo y el receptor.
- Conectar el equipo a una toma de corriente en un circuito distinto al cual esté conectado el receptor.
- Consultar al distribuidor o a un técnico experto en radio/TV para solicitar asistencia.

Makita U.S.A. Inc.

14930 Northam Street, La Mirada, CA 90638-5753, USA
+1-(714) 522-8088

Instrucciones importantes de seguridad para el cartucho de batería

1. **Antes de utilizar el cartucho de batería, lea todas las instrucciones e indicaciones de precaución en el (1) el cargador de batería, (2) la batería, y (3) el producto con el que se utiliza la batería.**
2. **No desarme ni modifique el cartucho de batería.** Podría ocurrir un incendio, calor excesivo o una explosión.
3. **Si el tiempo de operación se ha acortado en exceso, deje de operar de inmediato. Podría**

- correrse el riesgo de sobrecalentamiento, posibles quemaduras e incluso explosión.
4. En caso de que ingresen electrolitos en sus ojos, enjuáguelos bien con agua limpia y consulte de inmediato a un médico. Esto podría ocasionar pérdida de visión.
 5. Evite cortocircuitar el cartucho de batería:
 - (1) No toque las terminales con ningún material conductor.
 - (2) Evite guardar el cartucho de batería en un cajón junto con otros objetos metálicos, tales como clavos, monedas, etc.
 - (3) No exponga el cartucho de batería al agua o la lluvia.

Un cortocircuito en la batería puede causar un flujo grande de corriente, sobrecalentamiento, posibles quemaduras e incluso una descompostura.

6. No guarde ni utilice la herramienta y el cartucho de batería en lugares donde la temperatura pueda alcanzar o exceder los 50 °C (122 °F).
7. Nunca incinere el cartucho de batería incluso en el caso de que esté dañado seriamente o ya no sirva en absoluto. El cartucho de batería puede explotar si se tira al fuego.
8. No clave, corte, aplaste, lance o deje caer el cartucho de batería, ni golpee un objeto sólido contra el cartucho de batería. Dicha acción podría resultar en un incendio, calor excesivo o en una explosión.
9. No use una batería dañada.
10. Las baterías de ión de litio están sujetas a los requisitos reglamentarios en materia de bienes peligrosos.

Para el transporte comercial, por ej., mediante ferrocarriles o agentes de transporte, se deben tomar en cuenta los requisitos especiales relativos al empaque y el etiquetado.

Para efectuar los preparativos del artículo que se va a enviar, se requiere consultar a un experto en materiales peligrosos. Si es posible, consulte además otras regulaciones nacionales más detalladas.

Pegue o cubra con cinta adhesiva los contactos abiertos y empaque la batería de manera que ésta no pueda moverse dentro del paquete.
11. Para deshacerse del cartucho de batería, sáquelo de la herramienta y deséchelo en un lugar seguro. Siga las regulaciones locales relacionadas al desecho de las baterías.
12. Utilice las baterías únicamente con los productos especificados por Makita. Instalar las baterías en productos que no cumplan con los requisitos podría ocasionar un incendio, un calentamiento excesivo, una explosión o una fuga de electrolito.
13. Si no se utiliza la herramienta por un período largo, debe extraerse la batería de la herramienta.
14. El cartucho de batería podría absorber calor durante y después de su uso, lo que ocasionaría quemaduras o quemaduras a baja temperatura. Tenga cuidado con la manipulación de los cartuchos de batería que estén calientes.

15. No toque el terminal de la herramienta inmediatamente después de su uso, ya que el mismo podría estar lo suficientemente caliente como para provocarle quemaduras.
16. No permita que las rebabas, el polvo o la tierra queden atrapados en los terminales, orificios y ranuras del cartucho de batería. Podría provocar calentamiento, incendio, explosión y mal funcionamiento de la herramienta o del cartucho de batería, lo que resultaría en quemaduras o lesiones personales.
17. No utilice el cartucho de batería cerca de cables eléctricos de alto voltaje, a menos que la herramienta sea compatible con el uso cercano a estos cables eléctricos de alto voltaje. Esto podría ocasionar una avería o descompostura de la herramienta o del cartucho de batería.
18. Mantenga la batería alejada de los niños.

GUARDE ESTAS INSTRUCCIONES.

⚠PRECAUCIÓN: Utilice únicamente baterías originales de Makita. El uso de baterías no originales de Makita, o de baterías alteradas, puede ocasionar que las baterías exploten causando un incendio, lesiones personales y daños. Asimismo, esto invalidará la garantía de Makita para la herramienta y el cargador Makita.

Consejos para alargar al máximo la vida útil de la batería

1. Cargue el cartucho de batería antes de que se descargue completamente. Pare siempre la operación y cargue el cartucho de batería cuando note menos potencia en la herramienta.
2. No cargue nunca un cartucho de batería que esté completamente cargado. La sobrecarga acortará la vida de servicio de la batería.
3. Cargue el cartucho de batería a una temperatura ambiente de 10 °C - 40 °C (50 °F - 104 °F). Si un cartucho de batería está caliente, déjelo enfriar antes de cargarlo.
4. Cuando no utilice el cartucho de batería, sáquelo de la herramienta o del cargador.
5. Cargue el cartucho de batería si no va a utilizarlo durante un período prolongado (más de seis meses).

Instrucciones importantes de seguridad para la unidad inalámbrica

1. No desarme ni modifique la unidad inalámbrica.
2. Mantenga la unidad inalámbrica alejada de los niños pequeños. En caso de ingerirla accidentalmente, solicite atención médica de inmediato.
3. Utilice la unidad inalámbrica solamente con herramientas de Makita.
4. No exponga la unidad inalámbrica a la lluvia ni a condiciones de humedad.

5. No utilice la unidad inalámbrica en lugares donde la temperatura exceda los 50 °C (122 °F).
6. No utilice la unidad inalámbrica en lugares donde haya instrumentos médicos tales como marcapasos cerca.
7. No utilice la unidad inalámbrica en lugares donde haya dispositivos automáticos cerca. Si se utiliza, los dispositivos automáticos podrían causar alguna avería o error.
8. No opere la unidad inalámbrica en lugares con alta temperatura o donde pueda generarse electricidad estática o ruido eléctrico.
9. La unidad inalámbrica puede producir campos electromagnéticos (CEM), sin embargo éstos no son dañinos para el usuario.
10. La unidad inalámbrica es un instrumento de precisión. Tenga cuidado de no dejar caer ni golpear la unidad inalámbrica.
11. Evite tocar la terminal de la unidad inalámbrica con las manos descubiertas o con materiales metálicos.
12. Retire siempre la batería del producto al instalar en él la unidad inalámbrica.
13. Cuando abra la tapa de la ranura, evite el lugar donde el polvo y el agua puedan introducirse en la ranura. Mantenga siempre la entrada de la ranura limpia.
14. Inserte siempre la unidad inalámbrica en la dirección correcta.
15. No oprima el botón de activación inalámbrica en la unidad inalámbrica demasiado fuerte, ni lo haga con ningún objeto que tenga un borde filoso.
16. Cierre siempre la tapa de la ranura durante la operación.
17. No retire la unidad inalámbrica de la ranura mientras se esté suministrando energía a la herramienta. El hacerlo podría causar una avería de la unidad inalámbrica.
18. No retire la etiqueta en la unidad inalámbrica.
19. No coloque ninguna etiqueta en la unidad inalámbrica.
20. No deje la unidad inalámbrica en un lugar donde pueda generarse electricidad estática o ruido eléctrico.
21. No deje la unidad inalámbrica en un lugar sujeto a temperaturas altas, tal como un vehículo estacionado bajo el sol.
22. No deje la unidad inalámbrica en un lugar donde haya polvo o suciedad ni en un lugar donde pueda generarse gas corrosivo.
23. Los cambios repentinos de temperatura podrían humedecer la unidad inalámbrica. No utilice la unidad inalámbrica hasta que la condensación se haya secado por completo.
24. Cuando vaya a limpiar la unidad inalámbrica, hágalo cuidadosamente usando un paño suave seco. No utilice bencina, disolvente, grasa conductora o sustancias similares.
25. Cuando vaya a almacenar la unidad inalámbrica, guárdela en el estuche suministrado o en un contenedor libre de electricidad estática.
26. No inserte ningún otro dispositivo que no sea la unidad inalámbrica de Makita en la ranura de la herramienta.
27. No utilice la herramienta si la tapa de la ranura está dañada. La entrada de agua, polvo o suciedad en la ranura podría causar una avería.
28. No jale ni tuerza la tapa de la ranura más de lo necesario. Vuelva a colocar la tapa si ésta se sale de la herramienta.
29. Reemplace la tapa de la ranura si llega a perderse o dañarse.

GUARDE ESTAS INSTRUCCIONES.

DESCRIPCIÓN DEL FUNCIONAMIENTO

⚠PRECAUCIÓN: Asegúrese siempre de que la herramienta esté apagada y el cartucho de batería haya sido extraído antes de realizar cualquier ajuste o comprobación en la herramienta.

Instalación o extracción del cartucho de batería

⚠PRECAUCIÓN: Apague siempre la herramienta antes de colocar o quitar el cartucho de batería.

⚠PRECAUCIÓN: Sujete la herramienta y el cartucho de la batería con firmeza al colocar o quitar el cartucho de batería. Si no se sujeta con firmeza la herramienta y el cartucho de batería, puede ocasionar que se resbalen de sus manos causando daños a la herramienta y al cartucho de batería, así como lesiones a la persona.

Para instalar el cartucho de batería, alinee la lengüeta sobre el cartucho de batería con la ranura en la carcasa y deslícela hasta su lugar. Insértelo por completo hasta que se fije en su lugar con un pequeño clic. Si puede ver el indicador rojo como se muestra en la ilustración, este no ha quedado asegurado por completo.

Para quitar el cartucho de batería, deslícelo de la herramienta mientras desliza el botón sobre la parte delantera del cartucho.

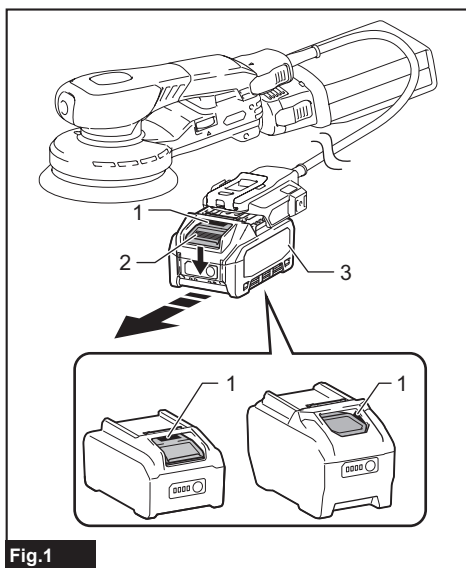


Fig.1

► 1. Indicador rojo 2. Botón 3. Cartucho de batería

⚠ PRECAUCIÓN: Introduzca siempre completamente el cartucho de batería hasta que el indicador rojo no pueda verse. Si no, podría accidentalmente salirse de la herramienta y caer al suelo causando una lesión a usted o alguien a su alrededor.

⚠ PRECAUCIÓN: No instale el cartucho de batería a la fuerza. Si el cartucho no se desliza al interior fácilmente, se debe a que no está siendo insertado correctamente.

Indicación de la capacidad restante de la batería

Oprima el botón de verificación en el cartucho de la batería para que indique la capacidad restante de la batería. Las luces indicadoras se iluminarán por algunos segundos.

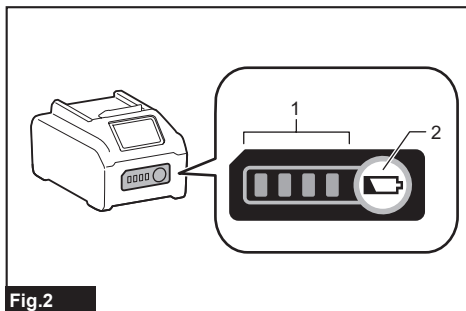


Fig.2

► 1. Luces indicadoras 2. Botón de verificación

Luces indicadoras			Capacidad restante
Iluminadas	Apagadas	Parpadeando	
■ ■ ■ ■			75% a 100%
■ ■ ■ □			50% a 75%
■ ■ □ □			25% a 50%
■ □ □ □			0% a 25%
▬ □ □ □			Cargar la batería.
■ ■ □ □			La batería pudo haber funcionado mal.
□ □ ■ ■		↑ ↓	

NOTA: Dependiendo de las condiciones de uso y la temperatura ambiente, la indicación podrá diferir ligeramente de la capacidad real.

NOTA: La primera luz indicadora (extrema izquierda) parpadeará cuando el sistema de protección de batería esté en funcionamiento.

Accionamiento del interruptor

⚠ PRECAUCIÓN: Evite encender la herramienta mientras está colocada sobre la pieza de trabajo o sobre su banco de trabajo. Podría causar lesiones o daños personales.

Cómo encender y apagar la herramienta

Oprima el botón de encendido para arrancar la herramienta.

Oprima el botón de encendido nuevamente para detener la herramienta.

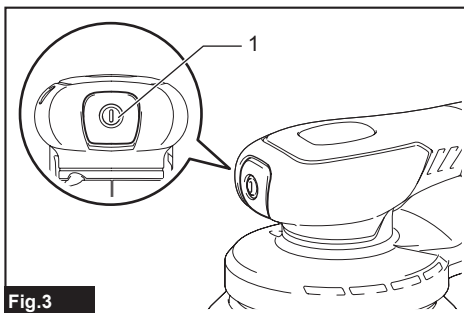


Fig.3

► 1. Botón de encendido

Dial de ajuste de velocidad

AVISO: El uso continuo de la herramienta a bajas velocidades durante un tiempo prolongado provocará la sobrecarga del motor y un funcionamiento deficiente de la herramienta.

AVISO: El dial de ajuste de velocidad sólo se puede girar hasta 5 y nuevamente hasta 1. No lo fuerce más allá de 5 o 1 o la función de ajuste de velocidad podrá dejar de funcionar.

La velocidad de rotación se puede cambiar girando el dial de ajuste de velocidad. Se logra una mayor velocidad cuando el selector se gira hacia el número 5. Y se logra una menor velocidad cuando se gira hacia el número 1.

Consulte la tabla para ver la relación entre las configuraciones de los números en el dial y la velocidad aproximada de giro.

Número	Órbitas por minuto
1	6 000
2	6 500
3	8 000
4	9 500
5	10 000

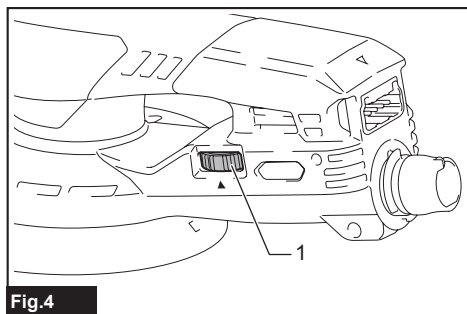


Fig.4

► 1. Dial de ajuste de velocidad

Función eléctrica

Esta herramienta está equipada con la(s) siguiente(s) función(es) electrónica(s) para facilitar la operación.

Función de arranque suave

La función de arranque suave reduce el golpe del arranque.

Control de velocidad constante

El control de velocidad electrónico consiste en obtener una velocidad constante.

Esta característica permite un acabado fino porque la velocidad de la herramienta permanece constante, incluso bajo carga.

Freno eléctrico

El freno eléctrico detiene la herramienta rápidamente para mayor seguridad y operación conveniente.

Función para evitar el encendido accidental

Cuando se conecta cualquier fuente de energía (por ejemplo, el cartucho de batería, etc.) a la herramienta mientras se presiona el botón de encendido, la herramienta no arranca.

Para arrancar la herramienta, oprima el botón de encendido nuevamente.

Sistema de protección para la herramienta/batería

La herramienta está equipada con un sistema de protección de la herramienta/batería. Este sistema corta en forma automática el suministro de energía al motor para prolongar la vida útil de la herramienta y la batería. La herramienta se detendrá automáticamente durante la operación si la herramienta o la batería se someten a una de las siguientes condiciones:

Protección contra sobrecarga

Cuando la herramienta o la batería se estén utilizando de una manera que cause que consuman una cantidad de corriente anormalmente alta, la herramienta se detendrá automáticamente sin indicación alguna. En este caso, apague la herramienta y detenga la aplicación que causó que la herramienta se sobrecargara. Luego encienda la herramienta para reiniciarla.

Protección contra sobrecalentamiento

Cuando la herramienta o la batería se sobrecalienten, la herramienta se detendrá automáticamente. En este caso, permita que la herramienta y la batería se enfríen antes de volver a encender la herramienta.

Protección en caso de sobredescarga

Cuando la capacidad de la batería no es suficiente, la herramienta se detiene automáticamente. En este caso, retire la batería de la herramienta y cárguela.

Protección contra otras causas

El sistema de protección también está diseñado para otras causas que podrían dañar la herramienta, y permite que la herramienta se detenga automáticamente. Siga todos los pasos a continuación para eliminar las causas cuando la herramienta se haya detenido temporalmente o se haya detenido durante el funcionamiento.

1. Asegúrese de que todos los interruptores estén en la posición de apagado, y luego vuelva a encender la herramienta para reiniciarla.
2. Cargue la(s) batería(s) o reemplácela(s) con batería(s) recargada(s).
3. Deje que la herramienta y la(s) batería(s) se enfríen.

Si no hay ninguna mejora al restaurar el sistema de protección, comuníquese con su centro local de servicio Makita.

MONTAJE

⚠PRECAUCIÓN: Asegúrese siempre de que la herramienta esté apagada y el cartucho de batería haya sido extraído antes de realizar cualquier trabajo en la misma.

Instalación o extracción del protector de almohadilla

El protector de almohadilla evita el desgaste del velcro de la almohadilla.

1. Para instalar el protector de almohadilla, primero elimine toda la suciedad y materias extrañas de la almohadilla.
2. Conecte el protector de almohadilla a la almohadilla alineando los orificios para tornillos y los orificios de succión de polvo en cada protector de almohadilla y almohadilla.

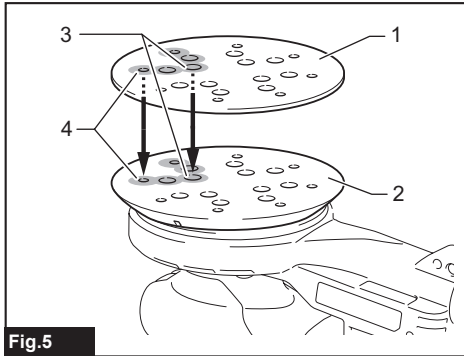


Fig.5

- 1. Protector de almohadilla 2. Almohadilla
3. Orificios para tornillo 4. Orificios de succión de polvo

Cuando el velcro del protector de almohadilla se desgasta, retire el protector de almohadilla e instale uno nuevo.

Para quitar el protector de almohadilla, despréndalo del borde.

Instalación o extracción del papel abrasivo

⚠PRECAUCIÓN: Asegúrese de que el papel abrasivo esté instalado de forma segura antes de usarlo. De lo contrario, el papel abrasivo podría desprenderse fácilmente, lo que provocaría resbalones y provocaría un funcionamiento de lijado desigual.

⚠PRECAUCIÓN: Asegúrese de que la almohadilla esté instalada de forma correcta y segura. Un aditamento suelto se desequilibrará y ocasionará una vibración excesiva, que resultaría en la pérdida de control.

⚠PRECAUCIÓN: Asegúrese de que la almohadilla, el protector de almohadilla y el papel abrasivo estén alineados y sujetos de forma segura.

⚠PRECAUCIÓN: Utilice papeles abrasivos solamente. Nunca use papeles abrasivos sensibles a la presión.

NOTA: El papel abrasivo también se puede colocar directamente sobre la almohadilla.

1. Elimine toda la suciedad y materias extrañas del protector de almohadilla.
2. Coloque una hoja abrasiva en el protector de almohadilla.
 - Para hojas abrasivas de tipo papel con orificios de succión de polvo, alinee los orificios de succión de polvo del papel con los del protector de almohadilla.
 - Para hojas abrasivas tipo red, alinee la forma exterior con el protector de almohadilla.

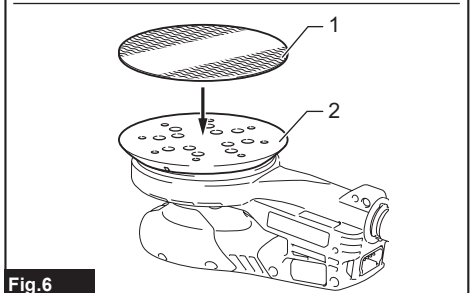
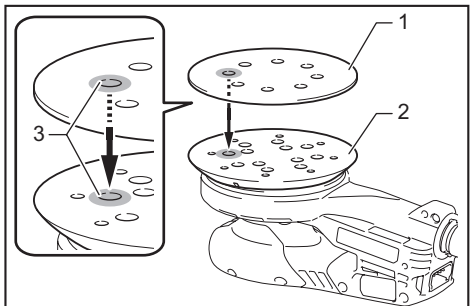


Fig.6

- 1. Hoja abrasiva 2. Protector de almohadilla
3. Orificios para succión de polvo

Para quitar la hoja abrasiva, quítela del borde mientras sostiene el protector de almohadilla para evitar que también se despegue.

Instalación y remoción de la bolsa recolectora de polvo

Coloque el ensamble de la bolsa recolectora de polvo sobre el tubo de descarga de polvo en el extremo posterior del alojamiento del motor. Coloque la entrada de polvo en el tubo de descarga de polvo hasta que encaje en su lugar.

Para retirar el ensamble de la bolsa recolectora de polvo, sostenga y tire de la tapa guardapolvos.

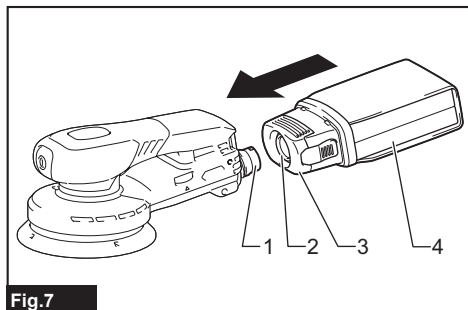


Fig.7

- ▶ 1. Tubo de descarga de polvo 2. Entrada de polvo 3. Tapa guardapolvos 4. Bolsa recolectora de polvo

AVISO: No sostenga la bolsa recolectora de polvo cuando transporte la herramienta. De lo contrario, la herramienta podría caer y dañarse.

Eliminación del polvo

Para asegurar una recolección de polvo óptima, vacíe la bolsa recolectora de polvo cuando se llene aproximadamente a la mitad de su capacidad.

1. Retire la bolsa recolectora de polvo de la tapa guardapolvos mientras presiona ambos botones.
2. Golpee suavemente la parte inferior de la bolsa recolectora de polvo para vaciarla.

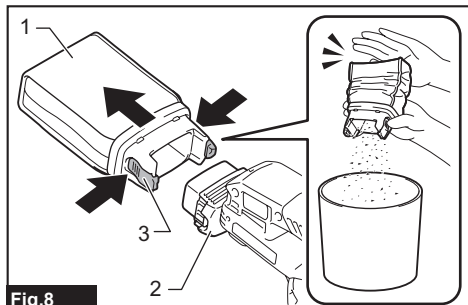


Fig.8

- ▶ 1. Bolsa recolectora de polvo 2. Tapa guardapolvos 3. Botón

Conexión con la aspiradora

Cuando desee realizar una operación de lijado limpia, conecte una aspiradora Makita a su herramienta.

AVISO: Cuando opere la herramienta con la aspiradora de mochila, utilice siempre la boca delantera (suministrada con la herramienta). Hacerlo reducirá la electricidad estática.

1. Retire la otra boca de la manguera si está conectada.
2. Atornille la boca delantera suministrada con la herramienta a la manguera. Asegúrese de que la boca delantera esté bien atornillada a la manguera.

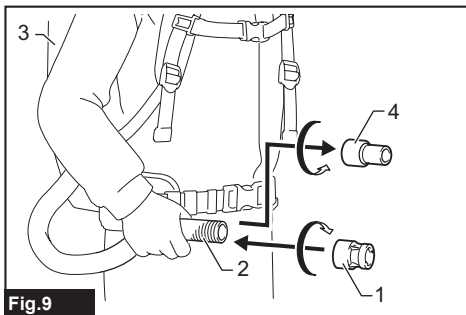


Fig.9

- ▶ 1. Boca delantera (suministrada con la herramienta) 2. Manguera 3. Aspiradora 4. Otra boca

3. Coloque la boca delantera sobre el tubo de descarga de polvo de la herramienta.

Coloque la boca delantera sobre el tubo de descarga de polvo hasta el tope, y luego gírela firmemente en la flecha como se muestra en la figura.

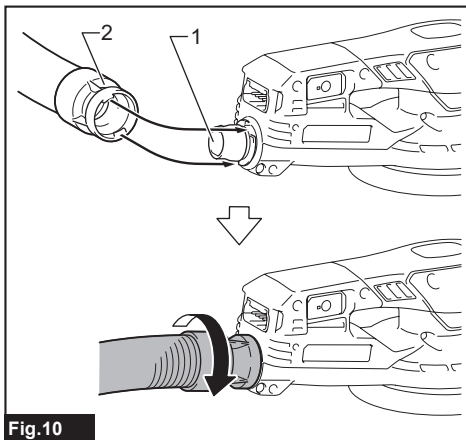


Fig.10

- ▶ 1. Tubo de descarga de polvo 2. Boca delantera (suministrada con la herramienta)

Para la aspiradora que no es de tipo mochila

Puede conectar la manguera también con la boca delantera 22 y la boca delantera 24. La boca delantera 22 y la boca delantera 24 son accesorios opcionales o se suministran con la aspiradora.

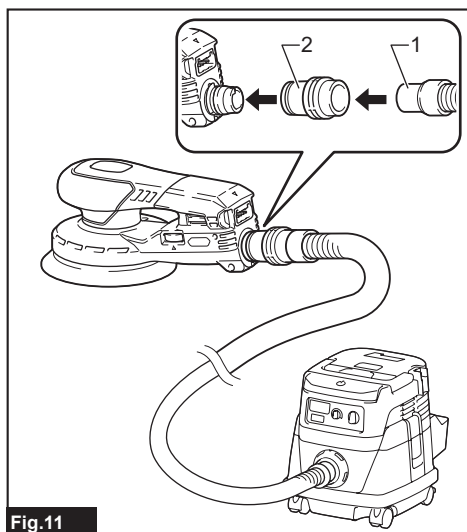


Fig.11

- ▶ 1. Boca delantera 22 (accesorio opcional o suministrado con la aspiradora) 2. Boca delantera 24 (accesorio opcional o suministrado con la aspiradora)

Instalación o extracción del adaptador para batería

AVISO: Asegúrese de que no haya acumulación de polvo en la conexión entre la herramienta y el adaptador para batería. La acumulación de polvo podría provocar un mal funcionamiento.

1. Para instalar el adaptador para batería, alinee la marca de flecha del adaptador para batería con la de la herramienta.
2. Inserte el adaptador para batería hasta que tope, hasta que quede asegurado en su lugar haciendo un pequeño clic.

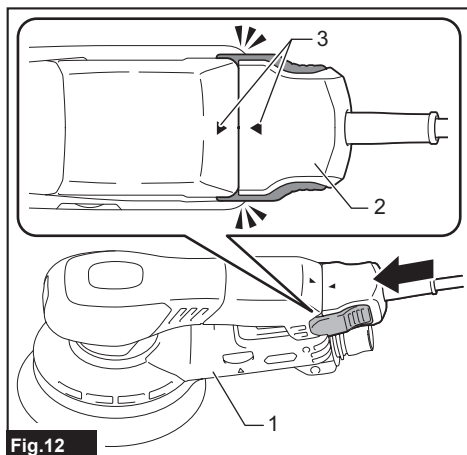


Fig.12

- ▶ 1. Herramienta 2. Adaptador para batería 3. Marca de flecha

Para retirar el adaptador para batería, deslice el adaptador para batería para sacarla, mientras oprime ambos botones.

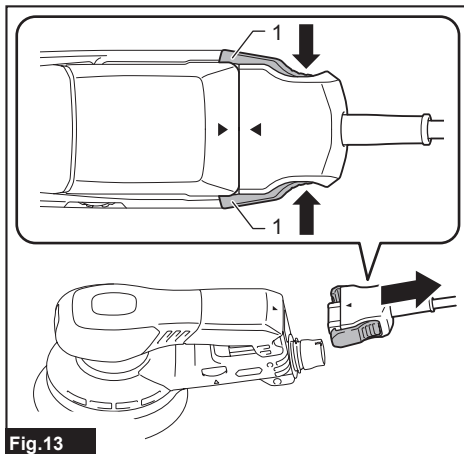


Fig.13

- ▶ 1. Botón

Configuración del adaptador para batería

PRECAUCIÓN: No utilice la herramienta si el cable de conexión está dañado.

AVISO: No maltrate el cable de conexión. No transporte la herramienta jalando el cable de conexión. Mantenga el cable de conexión lejos del calor, aceite o bordes filosos. De lo contrario, el cable de conexión podría dañarse.

Cuelgue el adaptador para batería en el cinturón. El sujetador de cable facilita el manejo del cable. Fije el sujetador de cable si es necesario con un tornillo a la derecha o izquierda del adaptador de batería.

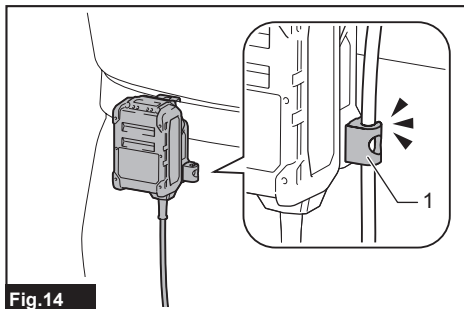


Fig.14

- ▶ 1. Sujetador de cable

Banda para el brazo

La banda para el brazo es conveniente para el manejo del cable.

1. Coloque la banda para el brazo sobre su brazo, y luego ajuste la longitud de la banda para el brazo.
2. Introduzca el cable de conexión a través de la abertura del sujetador (de cable).

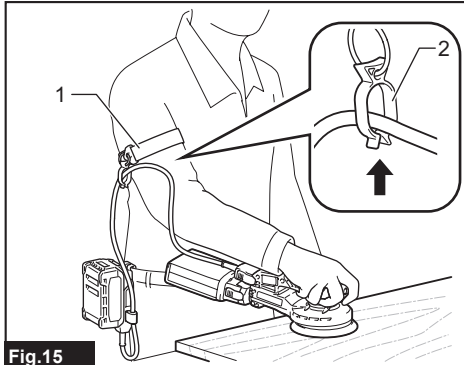


Fig.15

- 1. Banda para el brazo 2. Sujetador (de cable) con la abertura

⚠PRECAUCIÓN: No fuerce la abertura del sujetador. El hacerlo podría ocasionar una desviación y daños.

Abrazadera de la manguera

Se incluye en el adaptador para batería con cable de 5 m (16,4 ft) (accesorio opcional)

Cuando utilice la aspiradora conectada a la herramienta, la banda de la manguera se puede utilizar para sujetar el cable y la manguera para evitar enredos. Sujete el cable y la manguera con la banda para la manguera a intervalos de aproximadamente 1 m (3,3 ft), como se muestra en la figura.

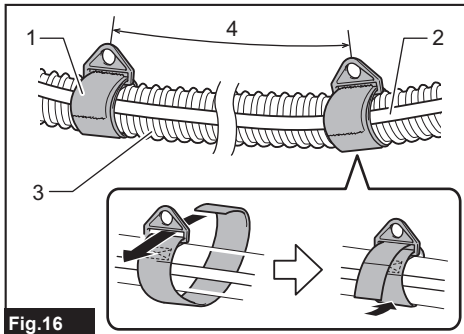


Fig.16

- 1. Banda para la manguera 2. Cable 3. Manguera
4. Aproximadamente 1 m (3,3 ft)

OPERACIÓN

Operación de lijado

⚠PRECAUCIÓN: Asegúrese siempre de que la pieza de trabajo quede asegurada firmemente.

⚠PRECAUCIÓN: Use una máscara antipolvo cuando trabaje con mucho polvo.

⚠PRECAUCIÓN: No toque el papel abrasivo mientras gira. En caso contrario, podría resultar en una lesión personal.

AVISO: Nunca ponga en marcha la herramienta sin el papel abrasivo. Podría dañar seriamente el protector de almohadilla o la almohadilla.

AVISO: Nunca fuerce la herramienta. Una presión excesiva podrá reducir la eficiencia del lijado, dañar el papel abrasivo o acortar la vida útil de la herramienta.

AVISO: No utilice la herramienta para pulido. No coloque el accesorio de pulido, como la esponja, en la herramienta. De lo contrario, podría ocurrir un desperfecto.

Sostenga la herramienta firmemente. Encienda la herramienta y espere hasta que alcance la velocidad ajustada. Luego, coloque con cuidado la herramienta sobre la superficie de la pieza de trabajo. Mantenga la almohadilla alineada con la pieza de trabajo, y no empuje todo su peso sobre la herramienta.

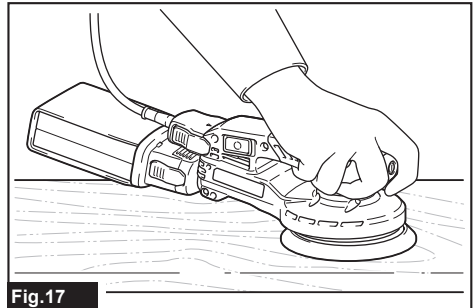


Fig.17

Operación con el arnés

Accesorio opcional

El arnés permite la operación llevando el adaptador para batería en la espalda.

El mosquetón se puede fijar al arnés. La herramienta se puede enganchar al mosquetón mediante el gancho. Para la instalación del gancho, consulte "Instalación del gancho".

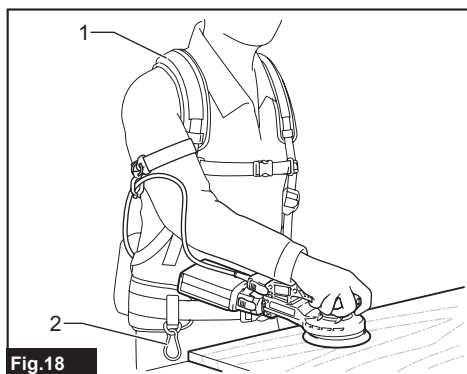


Fig. 18

► 1. Arnés 2. Mosquetón

Operación con la funda protectora

Accesorio opcional

AVISO: Antes de seleccionar la funda protectora, asegúrese de que sea compatible con su aspiradora de mochila. La funda protectora se puede colocar únicamente en modelos específicos de la aspiradora de mochila.

Ejemplos del modelo compatible:

- VC008G / GCV05
- VC009G / GCV06

Arriba se enlistan parte de los ejemplos. Para obtener más información, consulte en nuestro centro de servicio si su aspiradora de mochila es compatible con la funda protectora o no.

La funda protectora protege la aspiradora de mochila y el adaptador para batería, y permite el funcionamiento llevando la aspiradora de mochila y el adaptador para batería juntos en la espalda.

1. Retire los tornillos que sujetan el arnés de la aspiradora de mochila.

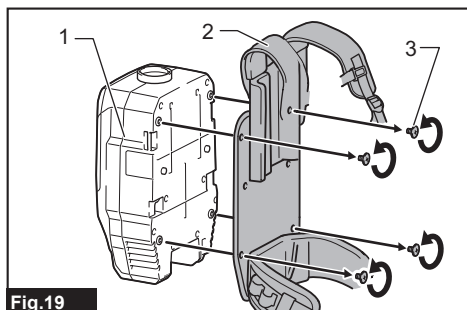


Fig. 19

► 1. Aspiradora de mochila 2. Arnés de la aspiradora de mochila 3. Tornillo

2. Envuelva la aspiradora de mochila con la funda protectora (para aspiradora de mochila).

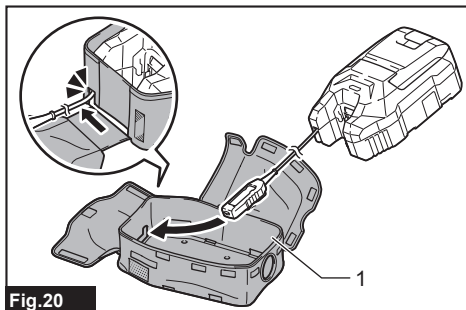


Fig. 20

► 1. Funda protectora (para aspiradora de mochila)

3. Sujete el arnés de la aspiradora de mochila al avanzar los tornillos.

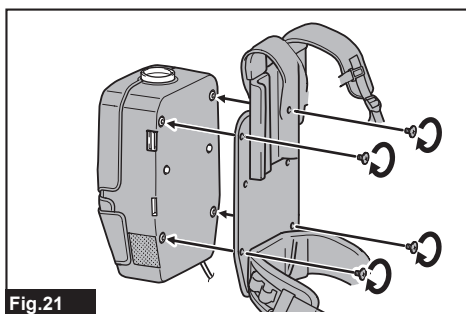


Fig. 21

4. Guarde las piezas de la batería del adaptador para batería en la funda protectora (para el adaptador para batería), y luego coloque la funda protectora (para el adaptador para batería), en el arnés como se muestra en la figura.

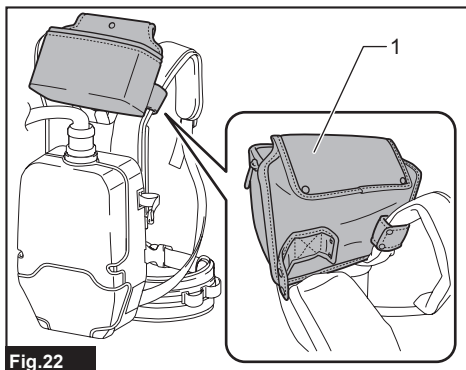


Fig. 22

► 1. Funda protectora (para el adaptador para batería)

5. El mosquetón se puede fijar al arnés. La herramienta se puede enganchar al mosquetón mediante el gancho. Para la instalación del gancho, consulte "Instalación del gancho".

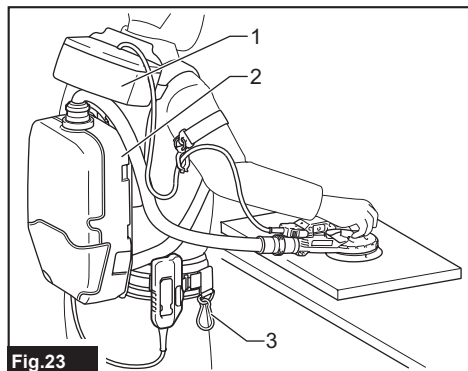


Fig.23

► 1. Funda protectora (para el adaptador para batería) 2. Funda protectora (para aspiradora de mochila) 3. Mosquetón

Instalación del gancho

Incluido en arnés / funda protectora (accesorio opcional)

⚠ADVERTENCIA: Utilice las piezas para colgado/montado solo para los fines previstos; por ejemplo, colgar la herramienta en un cinturón de herramientas entre trabajos o intervalos de trabajo.

⚠ADVERTENCIA: Tenga cuidado de no sobrecargar el gancho con demasiada fuerza. De lo contrario, la sobrecarga irregular podría ocasionar daños a la herramienta y provocar lesiones personales.

⚠PRECAUCIÓN: Cuando instale el gancho, siempre asegúrelo firmemente con el tornillo. De lo contrario, el gancho podría desprenderse de la herramienta y ocasionar lesiones personales.

⚠PRECAUCIÓN: Asegúrese de colgar la herramienta de forma segura antes de soltarla. Un enganche insuficiente o desequilibrado podría provocar que se caiga y usted podría lesionarse.

El gancho se suministra con el arnés y la funda protectora.

La herramienta se puede enganchar al mosquetón mediante el gancho.

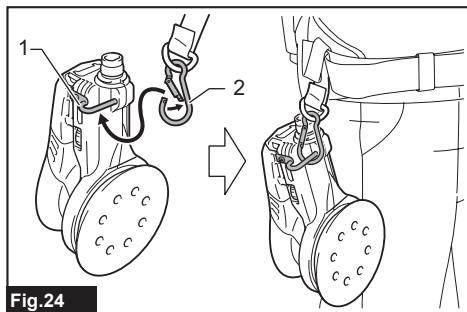


Fig.24

► 1. Gancho 2. Mosquetón

El gancho puede instalarse en ambos lados de la herramienta. Para instalar el gancho, insértelo en el orificio de la herramienta, y luego asegúrelo con un tornillo. Para quitarlo, afloje el tornillo y después retírelo.

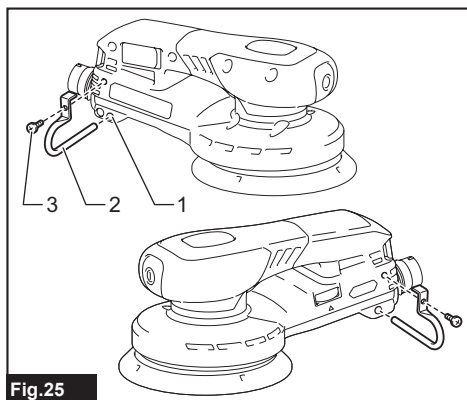


Fig.25

► 1. Orificio 2. Gancho 3. Tornillo

FUNCIÓN DE ACTIVACIÓN INALÁMBRICA

Lo que puede hacer con la función de activación inalámbrica

La función de activación inalámbrica permite una operación limpia y cómoda. Si conecta a la herramienta una aspiradora compatible, podrá hacer que ésta funcione automáticamente al activar el interruptor de la herramienta.

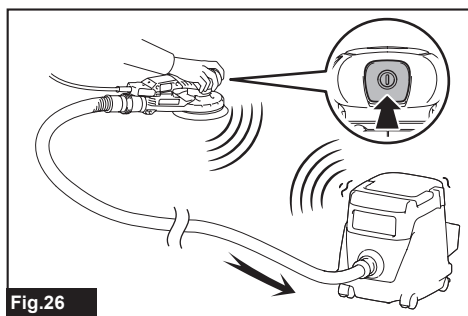


Fig.26

Para hacer uso de la función de activación inalámbrica, tenga preparado lo siguiente:

- Una unidad inalámbrica (accesorios opcionales)
- Una aspiradora compatible con la función de activación inalámbrica

A continuación se presenta la descripción general del ajuste de la función de activación inalámbrica. Consulte cada sección para ver los procedimientos a detalle.

1. Instalación de la unidad inalámbrica
2. Registro de la herramienta para la aspiradora
3. Inicio de la función de activación inalámbrica

Instalación de la unidad inalámbrica

Accesorio opcional

PRECAUCIÓN: Coloque la herramienta sobre una superficie plana y estable cuando vaya a instalar la unidad inalámbrica.

AVISO: Limpie el polvo y la suciedad en la herramienta antes de instalar la unidad inalámbrica. El polvo o la suciedad podrían causar una avería si llegan a introducirse en la ranura de la unidad inalámbrica.

AVISO: Para evitar una avería a causa de la electricidad estática, toque un material de descarga de electricidad estática, tal como una pieza metálica de la herramienta antes de levantar la unidad inalámbrica.

AVISO: Cuando vaya a instalar la unidad inalámbrica, asegúrese siempre de que ésta sea insertada en la dirección correcta y que la tapa esté completamente cerrada.

1. Abra la tapa en la herramienta tal como se muestra en la ilustración.

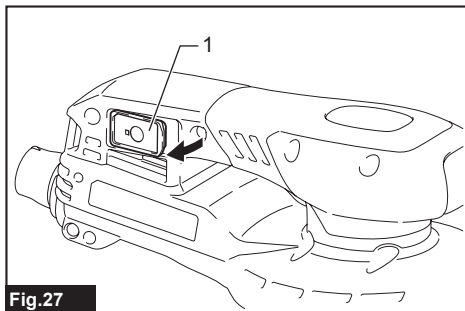


Fig.27

- ▶ 1. Tapa

2. Inserte la unidad inalámbrica en la ranura y luego cierre la tapa.

Cuando inserte la unidad inalámbrica, alinee las partes salientes con las partes cóncavas en la ranura.

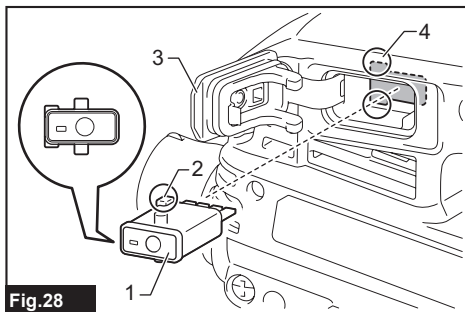


Fig.28

- ▶ 1. Unidad inalámbrica 2. Parte saliente 3. Tapa
4. Parte cóncava

Cuando extraiga la unidad inalámbrica, abra la tapa lentamente. Los ganchos en la parte posterior de la tapa levantarán la unidad inalámbrica mientras usted jala hacia arriba la tapa.

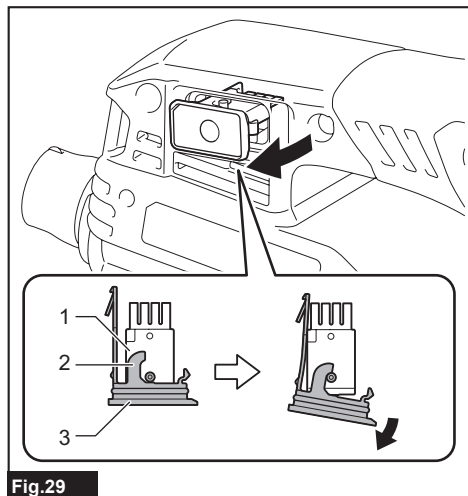


Fig.29

► 1. Unidad inalámbrica 2. Gancho 3. Tapa

Una vez extraída la unidad inalámbrica, guárdela en el estuche suministrado o en un contenedor libre de electricidad estática.

AVISO: Use siempre los ganchos en la parte posterior de la tapa cuando extraiga la unidad inalámbrica. Si los ganchos no sujetan la unidad inalámbrica, cierre la tapa por completo y vuelva a abrirla lentamente.

Registro de la herramienta para la aspiradora

NOTA: Para el registro de la herramienta, se requiere una aspiradora Makita compatible con la función de activación inalámbrica.

NOTA: Termine de instalar la unidad inalámbrica en la herramienta antes de comenzar con el registro de la herramienta.

NOTA: Durante el registro de la herramienta, no jale el gatillo interruptor ni active el interruptor de encendido en la aspiradora.

NOTA: Consulte también el manual de instrucciones de la aspiradora.

Si desea activar la aspiradora junto con el interruptor de la herramienta, termine antes con el registro de la herramienta.

1. Instale las baterías en la aspiradora y en la herramienta.

2. Ajuste el interruptor de modo en espera en la aspiradora en "AUTO".

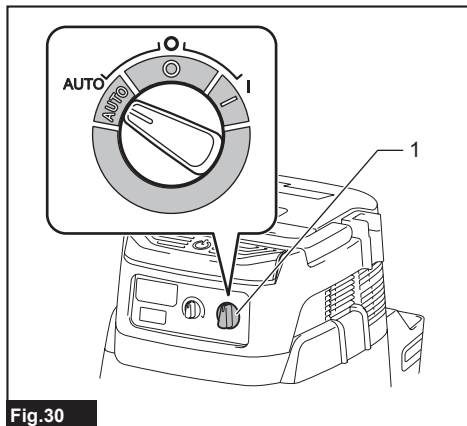


Fig.30

► 1. Interruptor de modo en espera

3. Oprima el botón de activación inalámbrica en la aspiradora durante 3 segundos hasta que la luz indicadora de activación inalámbrica parpadee en verde. Y luego oprima el botón de activación inalámbrica en la herramienta de la misma manera.

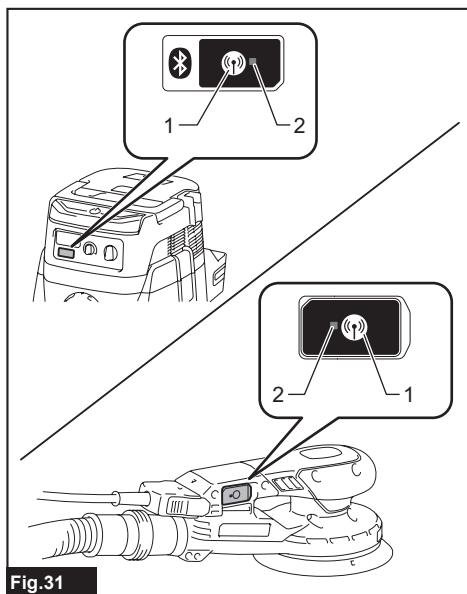


Fig.31

► 1. Botón de activación inalámbrica 2. Luz indicadora de activación inalámbrica

Si la aspiradora y la herramienta han sido conectadas exitosamente, las luces indicadoras de activación inalámbrica se encenderán en verde durante 2 segundos y comenzarán a parpadear en azul.

NOTA: Las luces indicadoras de activación inalámbrica terminarán parpadeando en verde después de un lapso de 20 segundos. Oprima el botón de activación inalámbrica en la herramienta mientras la luz indicadora de activación inalámbrica en la aspiradora esté parpadeando. Si la luz indicadora de activación inalámbrica no parpadea en verde, oprima el botón de activación inalámbrica durante un lapso breve y vuelva a mantenerlo oprimido.

NOTA: Cuando realice dos o más registros de la herramienta para una aspiradora, termine el registro de la herramienta de uno en uno.

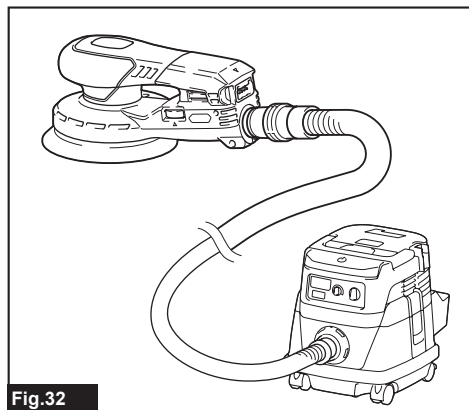
Inicio de la función de activación inalámbrica

NOTA: Termine con el registro de la herramienta para la aspiradora antes de la activación inalámbrica.

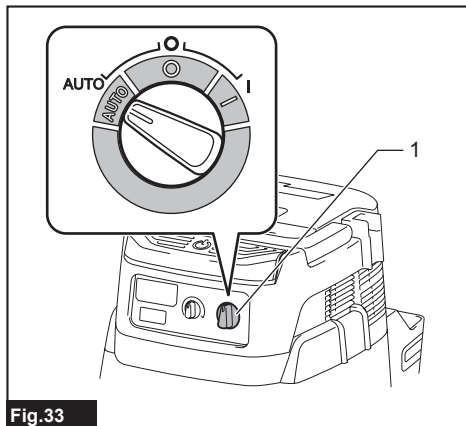
NOTA: Consulte también el manual de instrucciones de la aspiradora.

Después de registrar una herramienta en la aspiradora, esta última se activará automáticamente junto con el interruptor de la herramienta.

1. Instale la unidad inalámbrica en la herramienta.
2. Conecte la manguera de la aspiradora a la herramienta.

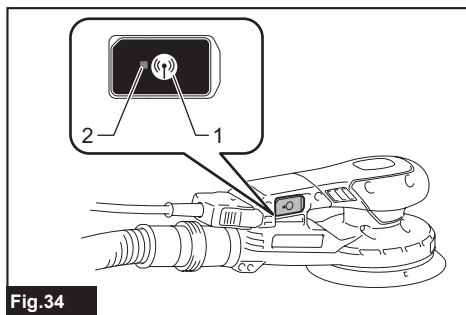


3. Ajuste el interruptor de modo en espera en la aspiradora en "AUTO".



- 1. Interruptor de modo en espera

4. Oprima el botón de activación inalámbrica en la herramienta durante un lapso breve. La luz indicadora de activación inalámbrica parpadeará en azul.



- 1. Botón de activación inalámbrica 2. Luz indicadora de activación inalámbrica

5. Encienda la herramienta. Compruebe si la aspiradora funciona mientras la herramienta está en funcionamiento.

Para detener la activación inalámbrica de la aspiradora, oprima el botón de activación inalámbrica en la herramienta.

NOTA: La luz indicadora de activación inalámbrica en la herramienta dejará de parpadear en azul cuando no haya operación durante 2 horas. En este caso, ajuste el interruptor de modo en espera en la aspiradora en "AUTO" y oprima el botón de activación inalámbrica en la herramienta nuevamente.

NOTA: La aspiradora funcionará/detendrá con un retraso. Existirá un desfase cuando la aspiradora detecte la activación del interruptor de la herramienta.

NOTA: La distancia de transmisión de la unidad inalámbrica podrá variar en función del lugar y las circunstancias de los alrededores.

NOTA: Cuando dos o más herramientas estén registradas en una aspiradora, esta última podrá comenzar a funcionar incluso si usted no enciende su herramienta, debido a que otro usuario está utilizando la función de activación inalámbrica.

Descripción del estado de la luz indicadora de activación inalámbrica

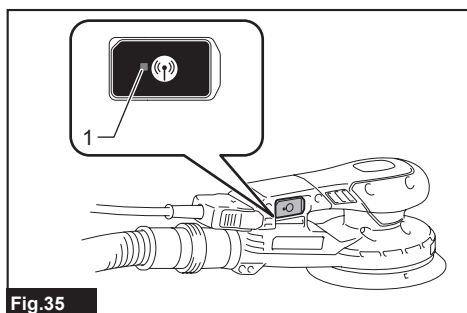


Fig.35

► 1. Luz indicadora de activación inalámbrica

La luz indicadora de activación inalámbrica muestra el estado de la función de activación inalámbrica. Consulte la tabla a continuación para ver qué significa el estado de la luz indicadora.

Estado	Luz indicadora de activación inalámbrica				Descripción
	Color	■ Encendida	▣ Parpadeando	Duración	
En espera	Azul	▣	■	2 horas	La activación inalámbrica de la aspiradora está disponible. La luz se apagará automáticamente cuando no se realice ninguna operación durante 2 horas.
		■	▣	Cuando la herramienta está funcionando.	La activación inalámbrica de la aspiradora está disponible y la herramienta está funcionando.
Registro de la herramienta	Verde	▣	■	20 segundos	Ya se puede realizar el registro de la herramienta. Esperando el registro por parte de la aspiradora.
		■	▣	2 segundos	El registro de la herramienta ha terminado. La luz indicadora de activación inalámbrica comenzará a parpadear en azul.
Cancelación del registro de la herramienta	Rojo	▣	■	20 segundos	Ya se puede cancelar el registro de la herramienta. Esperando la cancelación por parte de la aspiradora.
		■	▣	2 segundos	La cancelación del registro de la herramienta ha terminado. La luz indicadora de activación inalámbrica comenzará a parpadear en azul.
Otros	Rojo	■	-	3 segundos	La energía es suministrada a la unidad inalámbrica y la función de activación inalámbrica está arrancando.
	Apagada	-	-	-	La activación inalámbrica de la aspiradora se ha detenido.

Cancelación del registro de la herramienta para la aspiradora

Realice el siguiente procedimiento para cancelar el registro de la herramienta para la aspiradora.

1. Instale las baterías en la aspiradora y en la herramienta.
2. Ajuste el interruptor de modo en espera en la aspiradora en "AUTO".

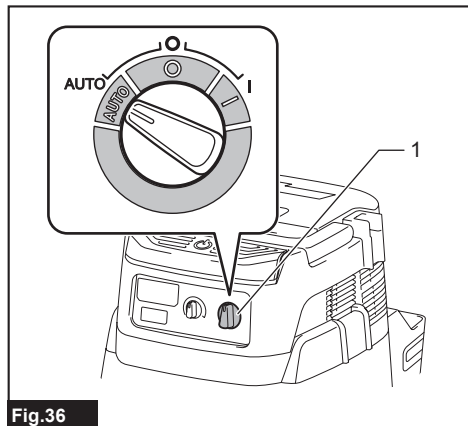


Fig.36

- 1. Interruptor de modo en espera

3. Oprima el botón de activación inalámbrica en la aspiradora durante 6 segundos. La luz indicadora de activación inalámbrica parpadeará en verde y luego se pondrá en rojo. Después de eso, oprima el botón de activación inalámbrica en la herramienta de la misma manera.

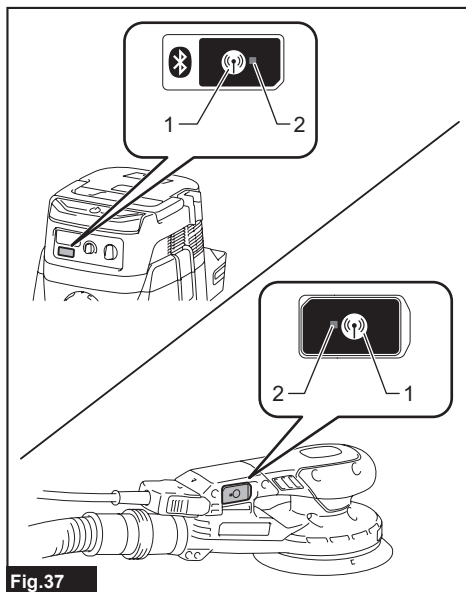


Fig.37

- 1. Botón de activación inalámbrica 2. Luz indicadora de activación inalámbrica

Si la cancelación se realiza exitosamente, las luces indicadoras de activación inalámbrica se encenderán en rojo durante 2 segundos y comenzarán a parpadear en azul.

NOTA: Las luces indicadoras de activación inalámbrica terminarán parpadearando en rojo después de un lapso de 20 segundos. Oprima el botón de activación inalámbrica en la herramienta mientras la luz indicadora de activación inalámbrica en la aspiradora esté parpadearando. Si la luz indicadora de activación inalámbrica no parpadea en rojo, oprima el botón de activación inalámbrica durante un lapso breve y vuelva a mantenerlo oprimido.

Detección y solución de problemas para la función de activación inalámbrica

Antes de solicitar alguna reparación, primero realice una inspección por su cuenta. Si detecta algún problema que no esté explicado en el manual, no intente desensamblar la herramienta. En vez de esto, solicite la reparación a un centro de servicio autorizado de Makita, usando siempre piezas de repuesto Makita.

Estado de la anomalía	Causa probable (avería)	Remedio
La luz indicadora de activación inalámbrica no enciende/parpadea.	La unidad inalámbrica no está instalada en la herramienta. La unidad inalámbrica está instalada incorrectamente en la herramienta.	Instale la unidad inalámbrica correctamente.
	La terminal de la unidad inalámbrica y/o la ranura está sucia.	Retire con cuidado el polvo y la suciedad en la terminal de la unidad inalámbrica y limpie la ranura.
	El botón de activación inalámbrica en la herramienta no se ha oprimido.	Oprima el botón de activación inalámbrica en la herramienta durante un lapso breve.
	El interruptor de modo en espera en la aspiradora no está ajustado en "AUTO".	Ajuste el interruptor de modo en espera en la aspiradora en "AUTO".
	No hay suministro de energía.	Suministre energía a la herramienta y a la aspiradora.
No se puede terminar/cancelar el registro de la herramienta exitosamente.	La unidad inalámbrica no está instalada en la herramienta. La unidad inalámbrica está instalada incorrectamente en la herramienta.	Instale la unidad inalámbrica correctamente.
	La terminal de la unidad inalámbrica y/o la ranura está sucia.	Retire con cuidado el polvo y la suciedad en la terminal de la unidad inalámbrica y limpie la ranura.
	El interruptor de modo en espera en la aspiradora no está ajustado en "AUTO".	Ajuste el interruptor de modo en espera en la aspiradora en "AUTO".
	No hay suministro de energía.	Suministre energía a la herramienta y a la aspiradora.
	Operación incorrecta	Oprima el botón de activación inalámbrica durante un lapso breve y realice los procedimientos de registro/cancelación de la herramienta nuevamente.
	La herramienta y la aspiradora están lejos una de la otra (fuera del rango de transmisión).	Acerque más la herramienta a la aspiradora. La distancia máxima de transmisión es de aproximadamente 10 m, pero puede variar en función de las circunstancias.
	Antes de terminar el registro o cancelación de la herramienta: - que el interruptor de la herramienta se encienda; o - que el botón de la aspiradora se encienda.	Oprima el botón de activación inalámbrica durante un lapso breve y realice los procedimientos de registro/cancelación de la herramienta nuevamente.
	Los procedimientos de registro para la herramienta o aspiradora no se han terminado.	Realice los procedimientos de registro tanto para la herramienta como para la aspiradora al mismo tiempo.
La perturbación radioeléctrica generada por otros aparatos que emiten ondas de radio de alta intensidad.	Mantenga la herramienta y la aspiradora lejos de aparatos tales como dispositivos Wi-Fi y hornos de microondas.	

Estado de la anomalía	Causa probable (avería)	Remedio
La aspiradora no funciona junto con el interruptor de la herramienta.	La unidad inalámbrica no está instalada en la herramienta. La unidad inalámbrica está instalada incorrectamente en la herramienta.	Instale la unidad inalámbrica correctamente.
	La terminal de la unidad inalámbrica y/o la ranura está sucia.	Retire con cuidado el polvo y la suciedad en la terminal de la unidad inalámbrica y limpie la ranura.
	El botón de activación inalámbrica en la herramienta no se ha oprimido.	Oprima el botón de activación inalámbrica durante un lapso breve y asegúrese de que la luz indicadora de activación inalámbrica esté parpadeando en azul.
	El interruptor de modo en espera en la aspiradora no está ajustado en "AUTO".	Ajuste el interruptor de modo en espera en la aspiradora en "AUTO".
	Más de 10 herramientas están registradas en la aspiradora.	Vuelva a realizar el registro de la herramienta. Si más de 10 herramientas están registradas en la aspiradora, la herramienta registrada al principio se cancelará automáticamente.
	La aspiradora borró todos los registros de la herramienta.	Vuelva a realizar el registro de la herramienta.
	No hay suministro de energía.	Suministre energía a la herramienta y a la aspiradora.
	La herramienta y la aspiradora están lejos una de la otra (fuera del rango de transmisión).	Acerque más la herramienta a la aspiradora. La distancia máxima de transmisión es de aproximadamente 10 m, pero puede variar en función de las circunstancias.
La perturbación radioeléctrica generada por otros aparatos que emiten ondas de radio de alta intensidad.	Mantenga la herramienta y la aspiradora lejos de aparatos tales como dispositivos Wi-Fi y hornos de microondas.	
La aspiradora funciona mientras la herramienta no está en funcionamiento.	Otros usuarios están usando la activación inalámbrica de la aspiradora con sus herramientas.	Apague el botón de activación inalámbrica de las demás herramientas o cancele el registro de dichas herramientas.

MANTENIMIENTO

⚠PRECAUCIÓN: Asegúrese siempre de que la herramienta esté apagada y el cartucho de batería extraído antes de intentar realizar una inspección o mantenimiento.

AVISO: Nunca use gasolina, bencina, diluyente (tíner), alcohol o sustancias similares. Puede que esto ocasione grietas o decoloramiento.

Para mantener la SEGURIDAD y FIABILIDAD del producto, las reparaciones, y cualquier otra tarea de mantenimiento o ajuste deberán ser realizadas en centros de servicio autorizados o de fábrica Makita, empleando siempre repuestos Makita.

Después del uso

Limpie la herramienta con un paño seco o un paño que esté ligeramente humedecido con agua jabonosa y en intervalos regulares.

ACCESORIOS OPCIONALES

⚠PRECAUCIÓN: Estos accesorios o aditamentos están recomendados para utilizarse con su herramienta Makita especificada en este manual. El empleo de cualquier otro accesorio o aditamento puede conllevar el riesgo de lesiones personales. Utilice los accesorios o aditamentos solamente para su fin establecido.

Si necesita cualquier ayuda para más detalles en relación con estos accesorios, pregunte a su centro de servicio local Makita.

- Papel abrasivo (velcro)
- Protector de almohadilla
- Almohadilla
- Bolsa recolectora de polvo
- Arnés
- Funda protectora
- Adaptador para batería
- Unidad inalámbrica
- Batería y cargador originales de Makita

NOTA: Algunos de los artículos en la lista pueden incluirse en el paquete de la herramienta como accesorios estándar. Éstos pueden variar de país a país.

GARANTÍA LIMITADA DE MAKITA

Ésta Garantía no aplica para México

Consulte la hoja de la garantía anexa para ver los términos más vigentes de la garantía aplicable a este producto. En caso de no disponer de esta hoja de garantía anexa, consulte los detalles sobre la garantía descritos en el sitio web de su país respectivo indicado a continuación.

Estados Unidos de América: www.makitatools.com

Canadá: www.makita.ca

Otros países: www.makita.com

< USA only >

WARNING

Some dust created by power sanding, sawing, grinding, drilling, and other construction activities contains chemicals known to the State of California to cause cancer, birth defects or other reproductive harm. Some examples of these chemicals are:

- lead from lead-based paints,
- crystalline silica from bricks and cement and other masonry products, and
- arsenic and chromium from chemically-treated lumber.

Your risk from these exposures varies, depending on how often you do this type of work. To reduce your exposure to these chemicals: work in a well ventilated area, and work with approved safety equipment, such as those dust masks that are specially designed to filter out microscopic particles.

< Sólo en los Estados Unidos >

ADVERTENCIA

Algunos polvos creados por el lijado, aserrado, esmerilado, taladrado y otras actividades de la construcción contienen sustancias químicas reconocidas por el Estado de California como causantes de cáncer, defectos de nacimiento y otros peligros de reproducción. Algunos ejemplos de estos productos químicos son:

- plomo de pinturas a base de plomo,
- sílice cristalino de ladrillos y cemento y otros productos de albañilería, y
- arsénico y cromo de maderas tratadas químicamente.

El riesgo al que se expone varía, dependiendo de la frecuencia con la que realice este tipo de trabajo. Para reducir la exposición a estos productos químicos: trabaje en un área bien ventilada y póngase el equipo de seguridad indicado, tal como las máscaras contra polvo que están especialmente diseñadas para filtrar partículas microscópicas.

Makita Corporation

3-11-8, Sumiyoshi-cho,
Anjo, Aichi 446-8502 Japan

www.makita.com

885A69-934
B0001CG-1
EN, FRCA, ESMX
20240215